








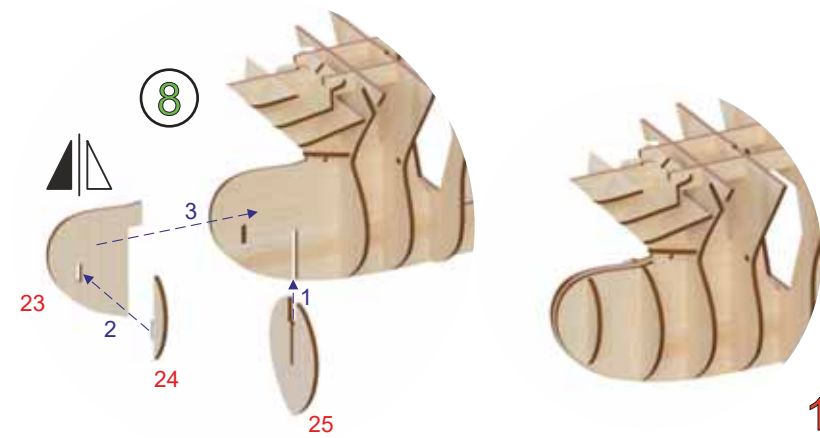
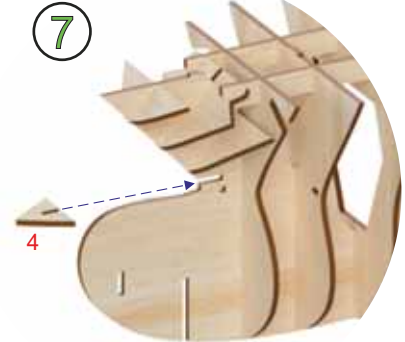
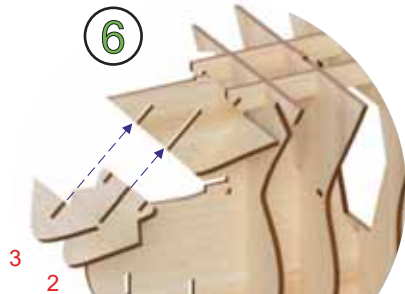
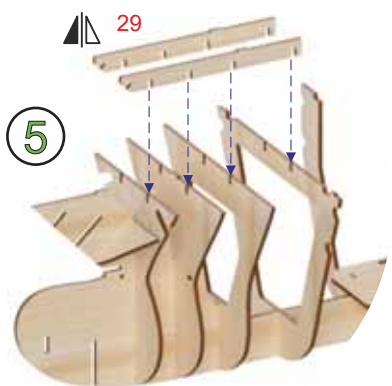
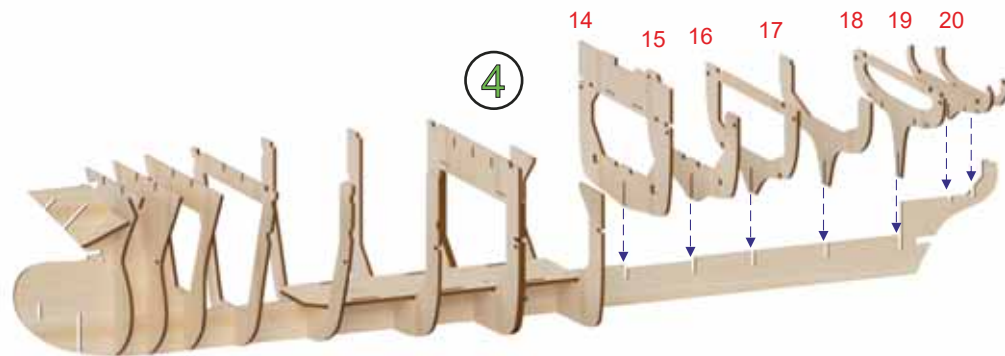
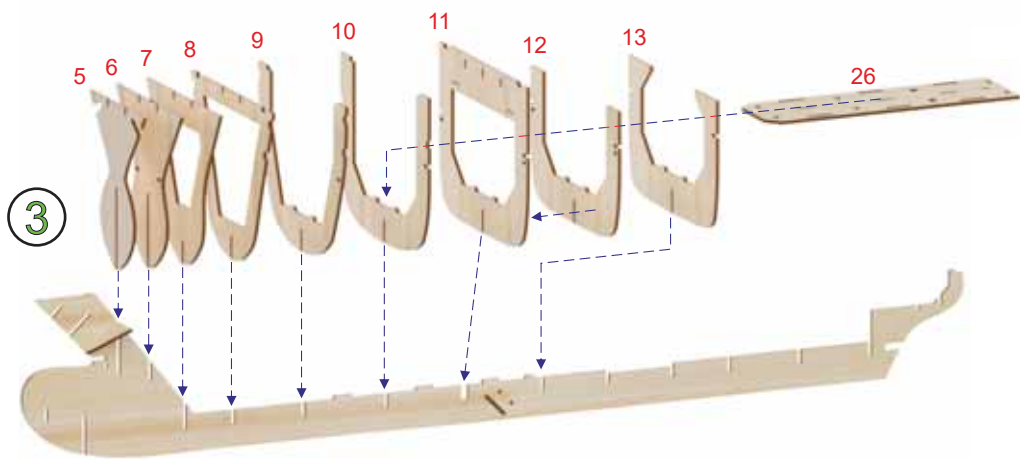
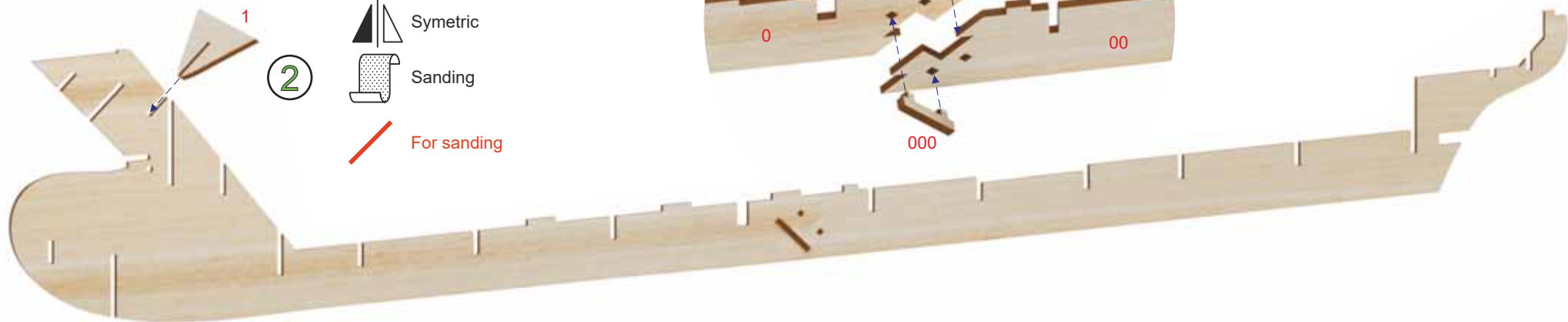
# NORDIC

EMERGENCY TUGBOAT 1:72

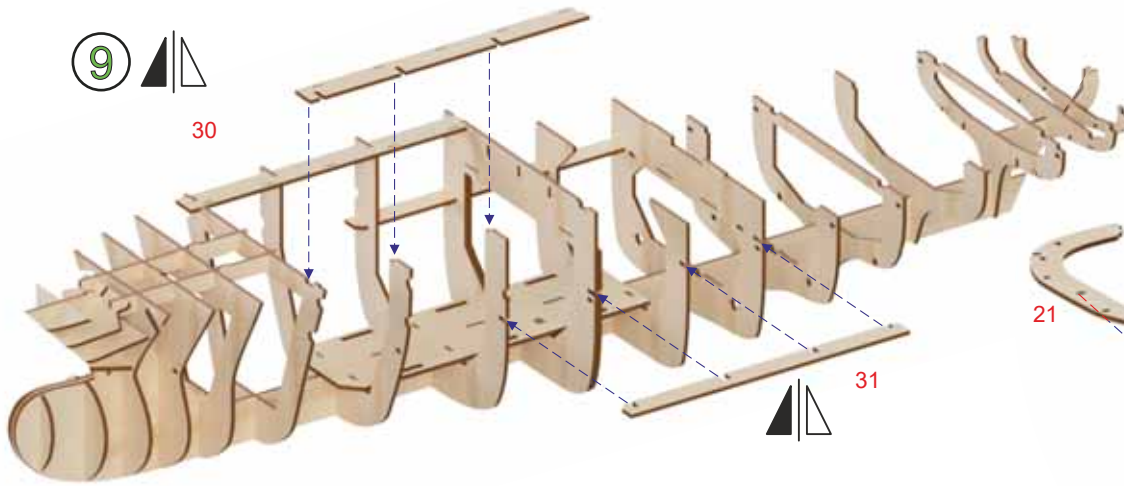
-  Blue colour numbers indicates PW sheets
-  Don't use glue
-  Symetric
-  Sanding
-  For sanding

\*Exist the keel on a flat surface.

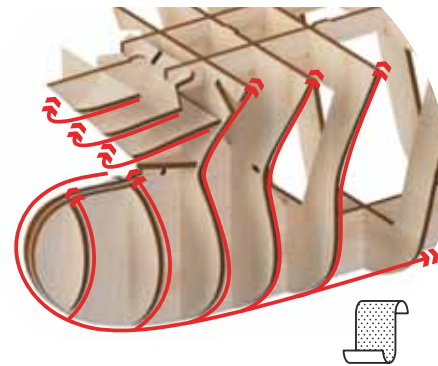
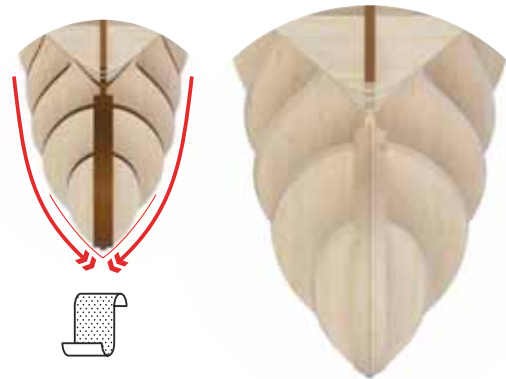
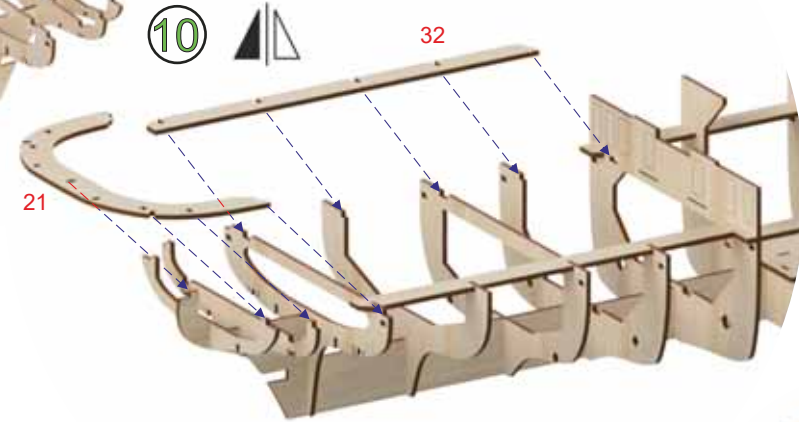
\*Be sure all parts are placed right before gluing.



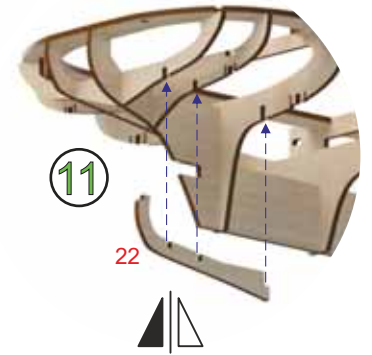
9



10

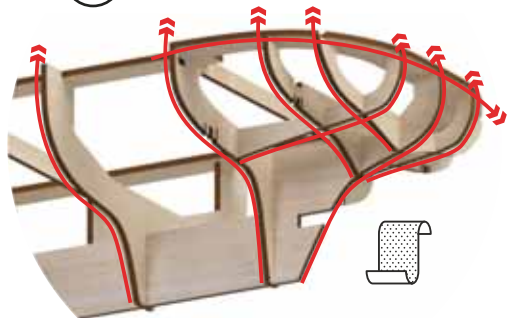


11

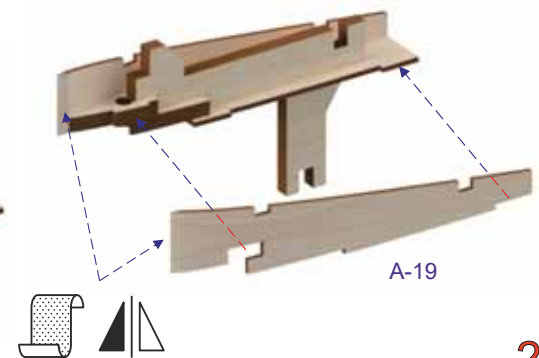
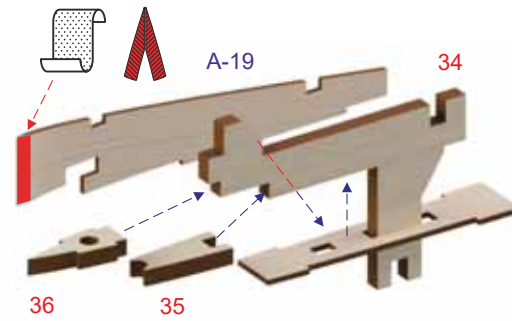


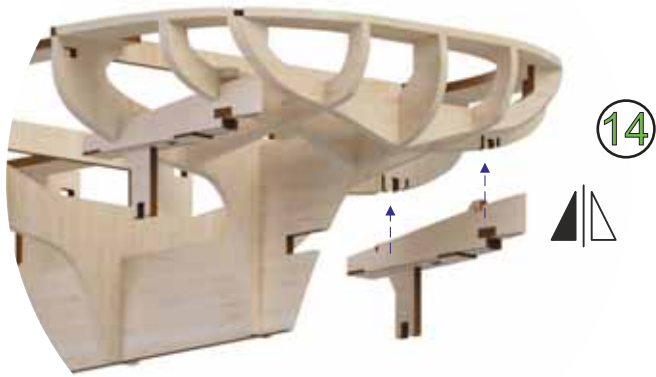
12

\*Sand the frame edges to the angle of curving direction to make better contact the cover strips on the frames.



13 x2



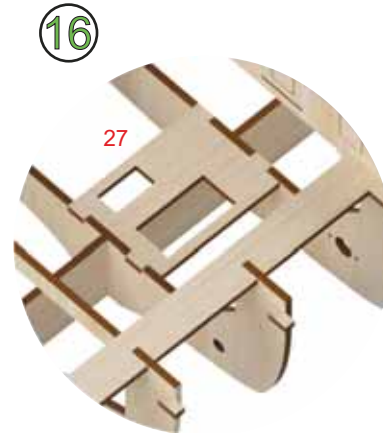


14



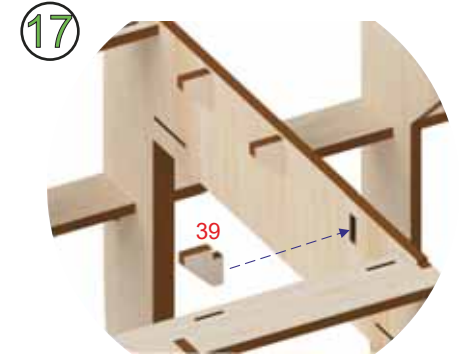
15

28



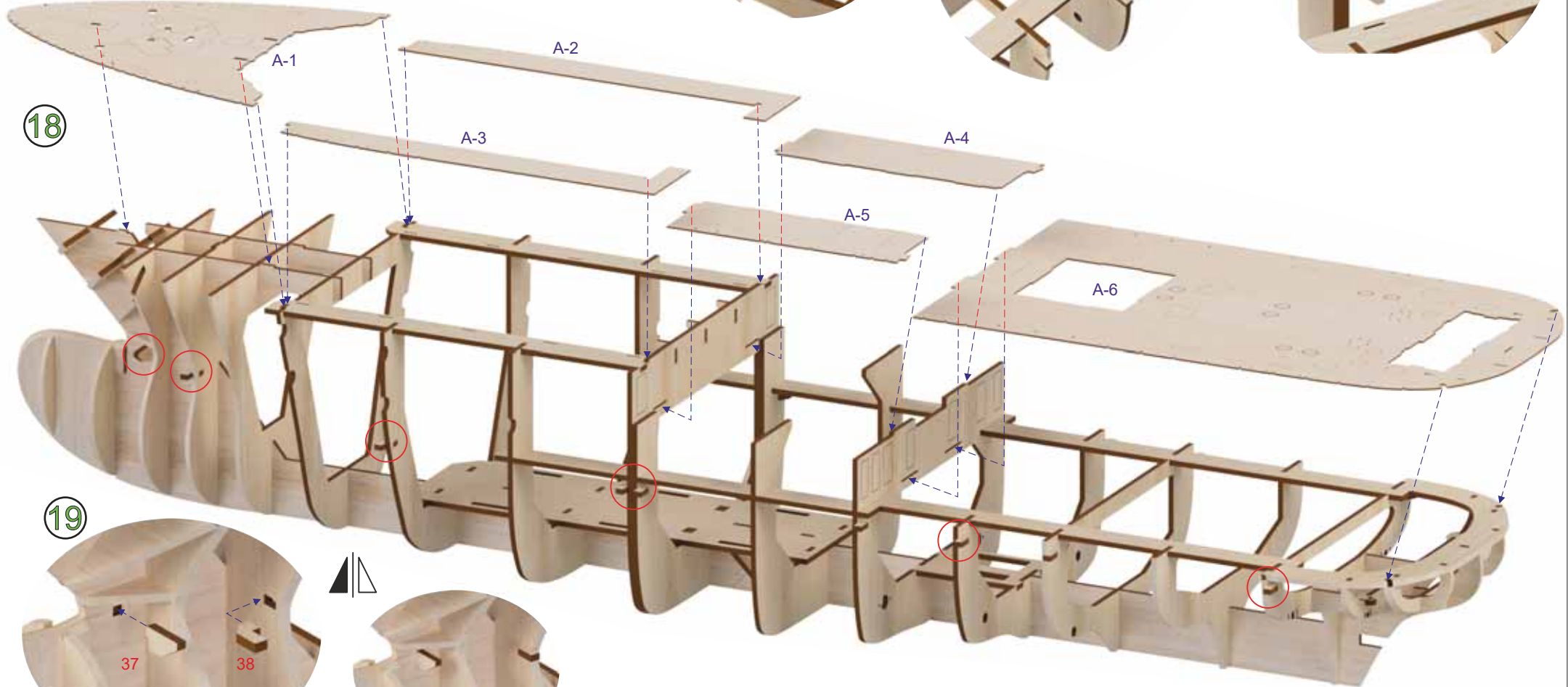
16

27



17

39



18

A-1

A-2

A-3

A-4

A-5

A-6

19



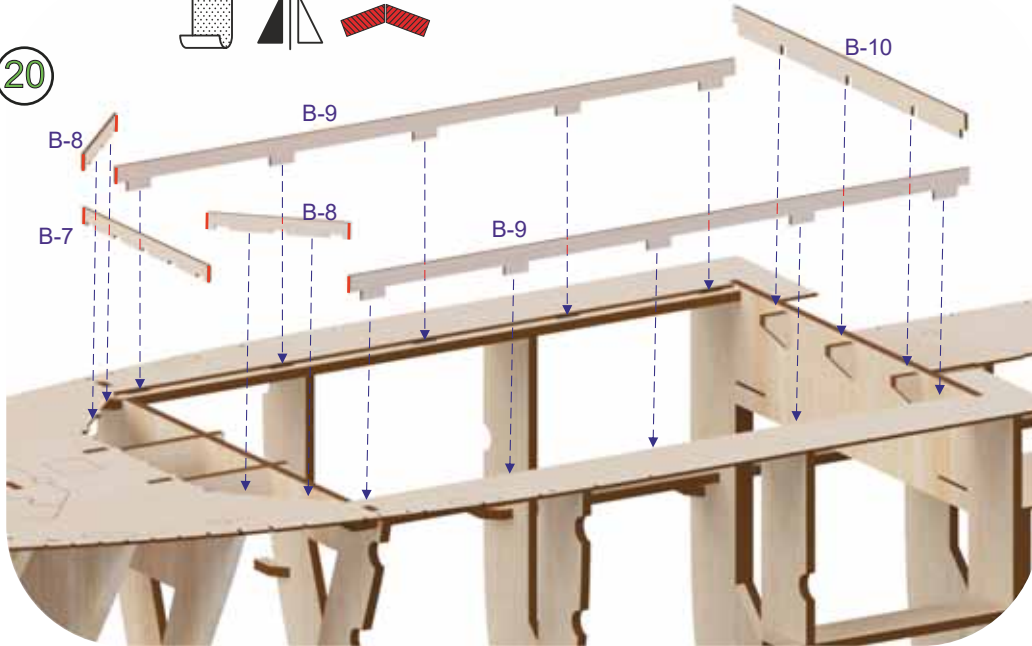
37

38

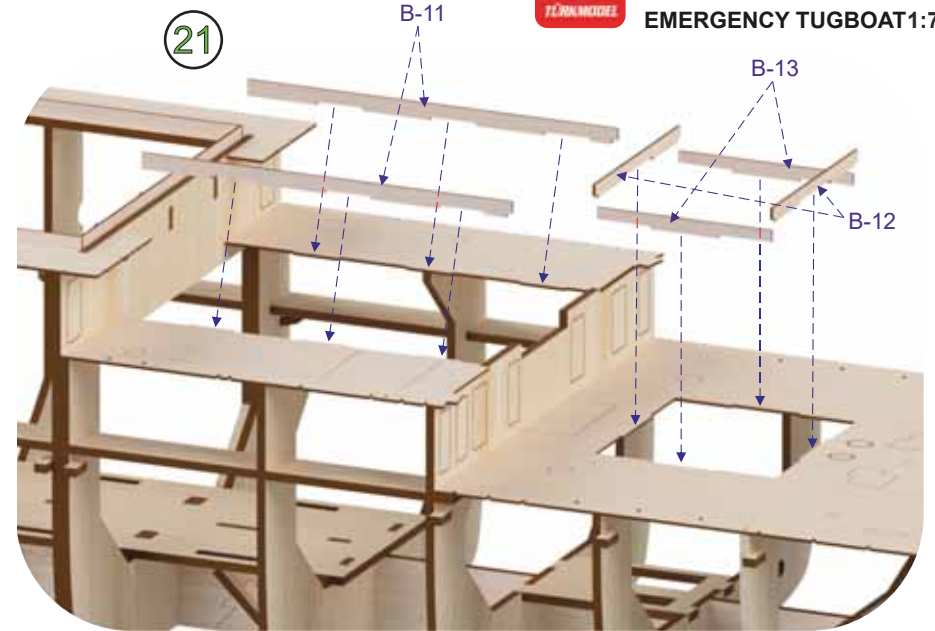




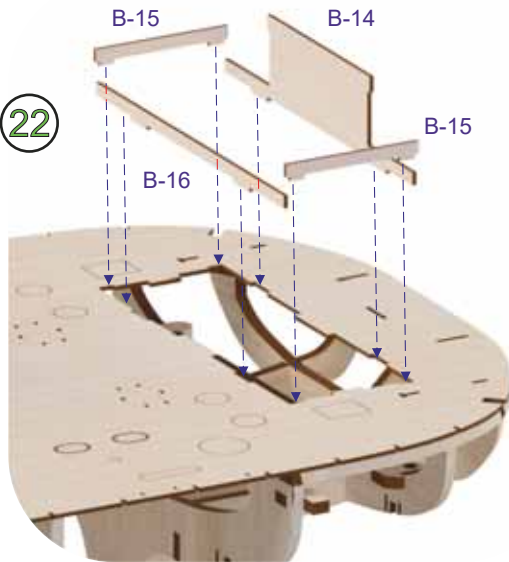
20

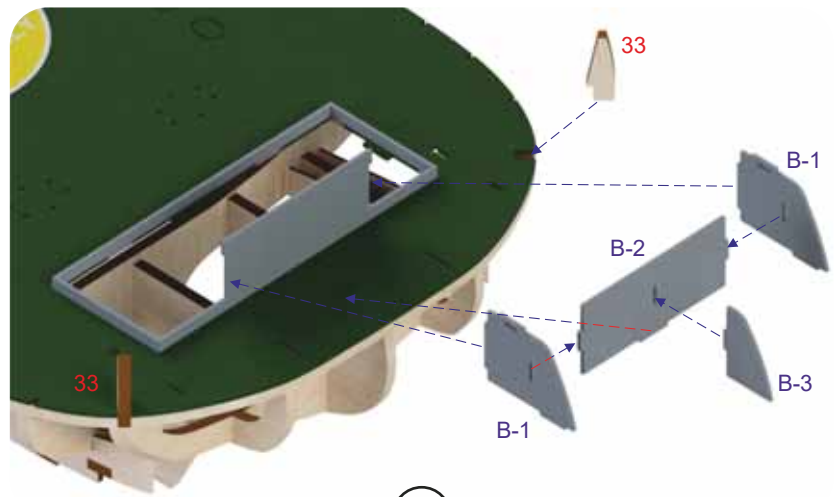


21

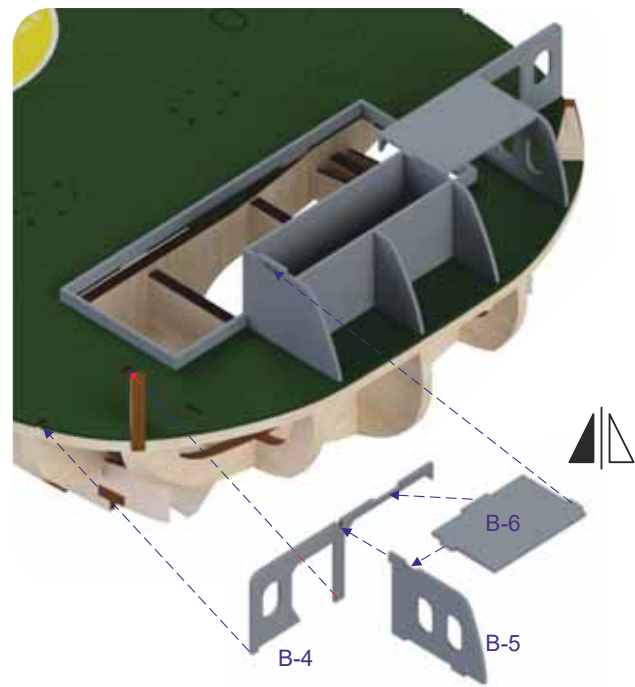


22

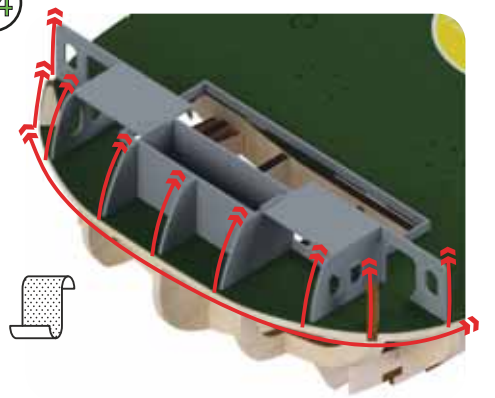




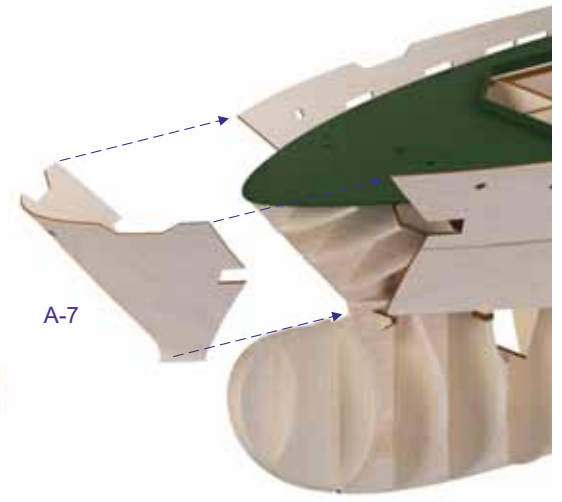
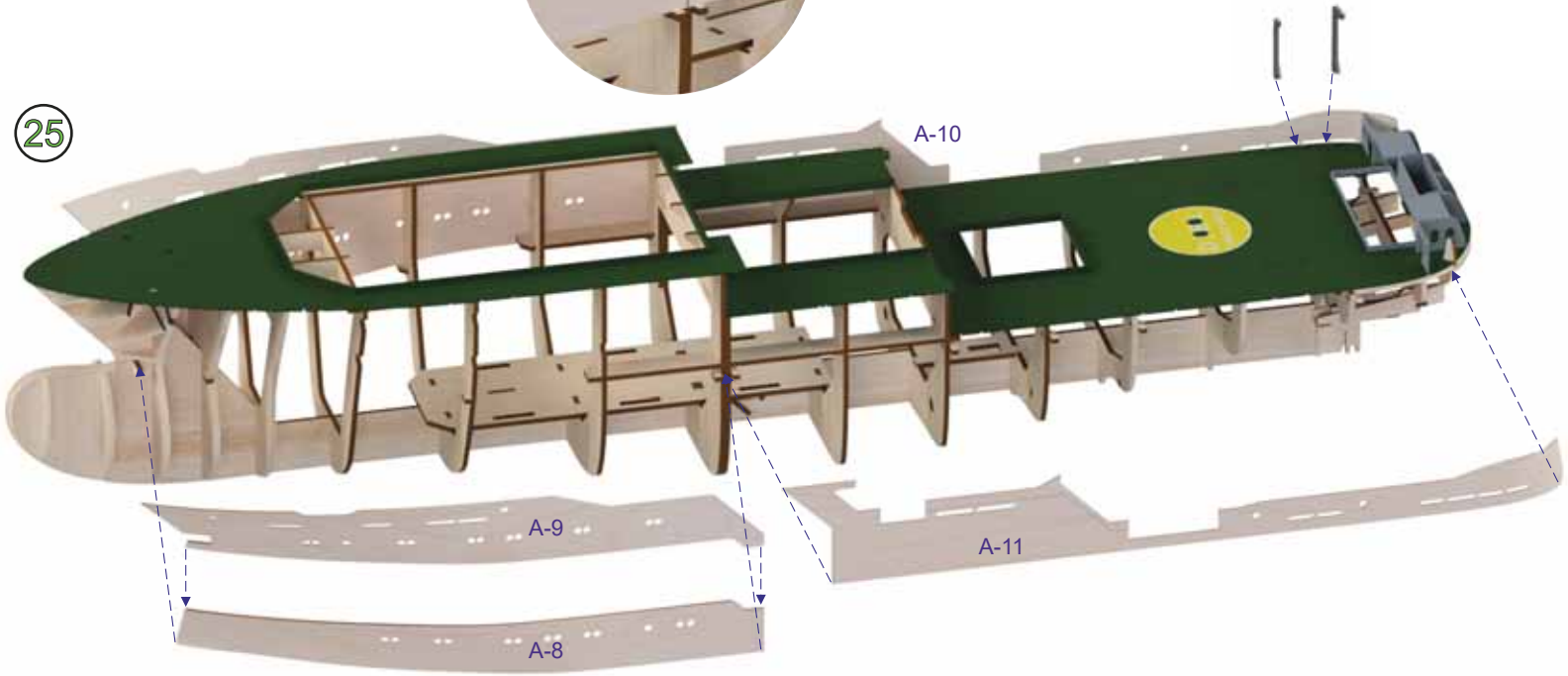
23

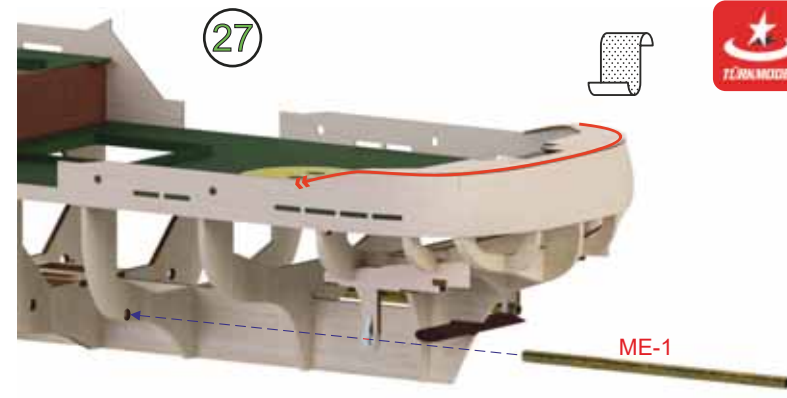
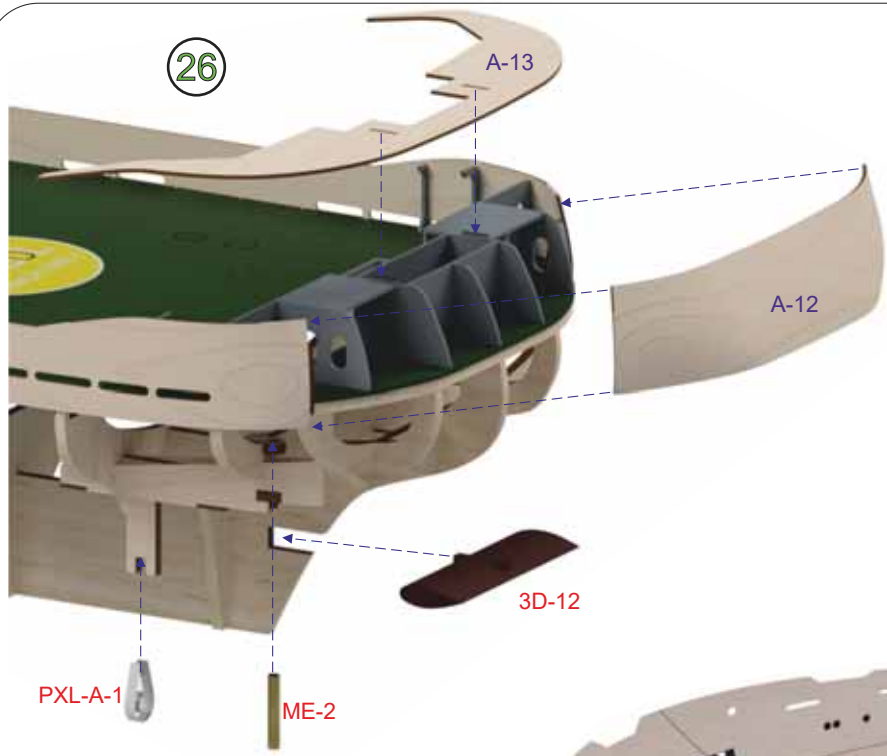


24

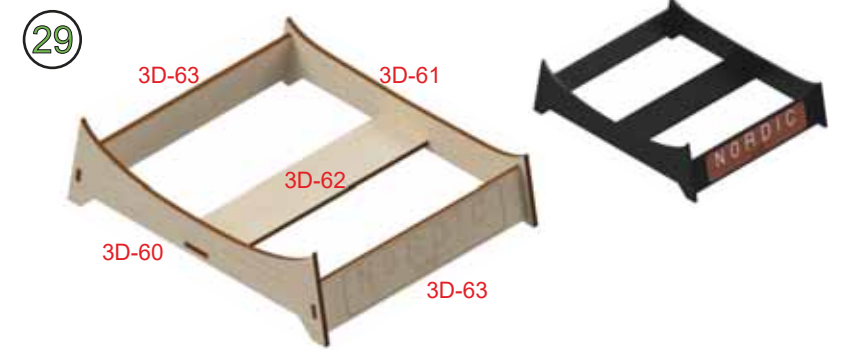


25

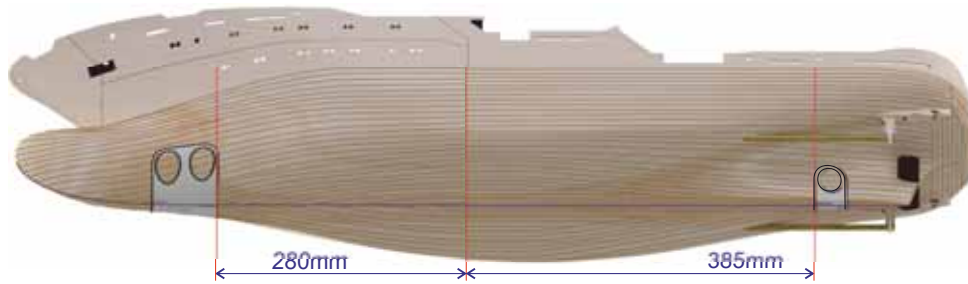
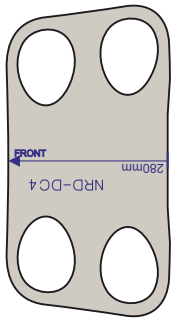




\*Keep the cover strips in water container for a while.  
So that, it is attached and curved easily.  
\*You can stop the keel bending a side  
If you cover one strip for each side everytime.



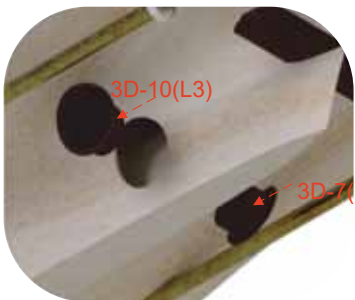
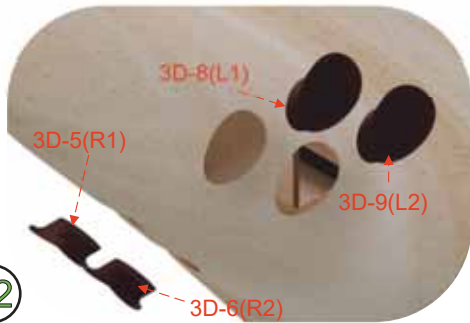
30



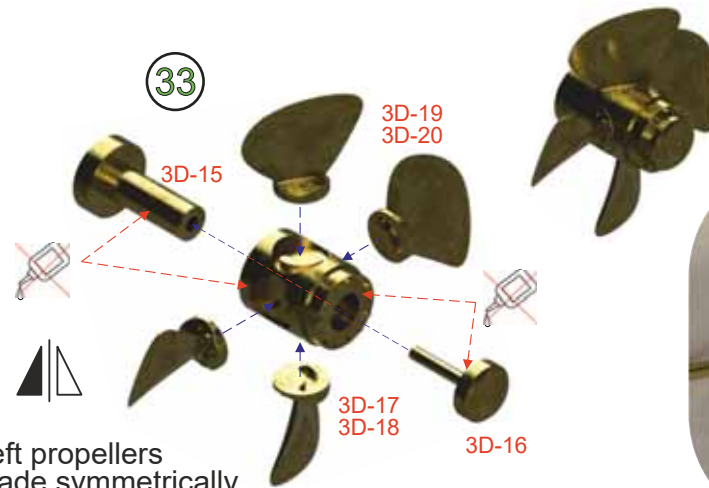
31



32

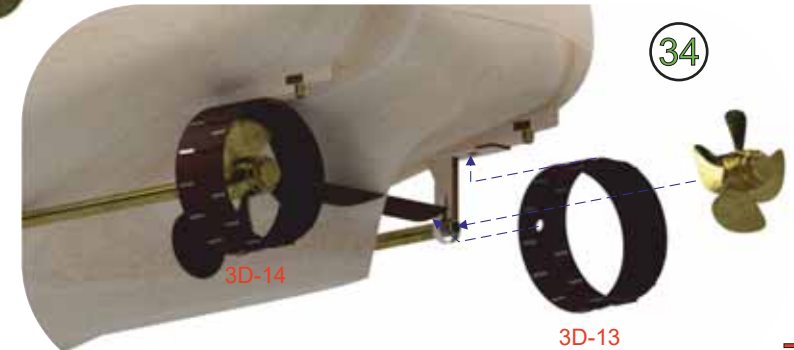


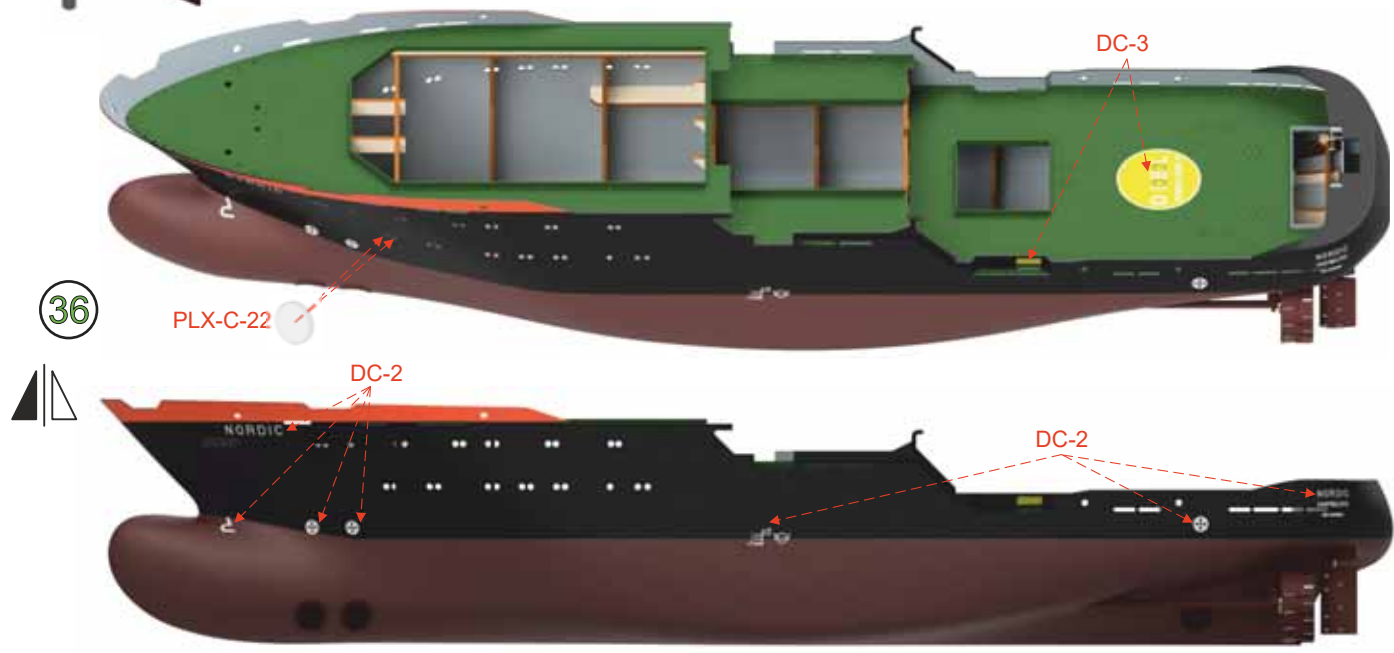
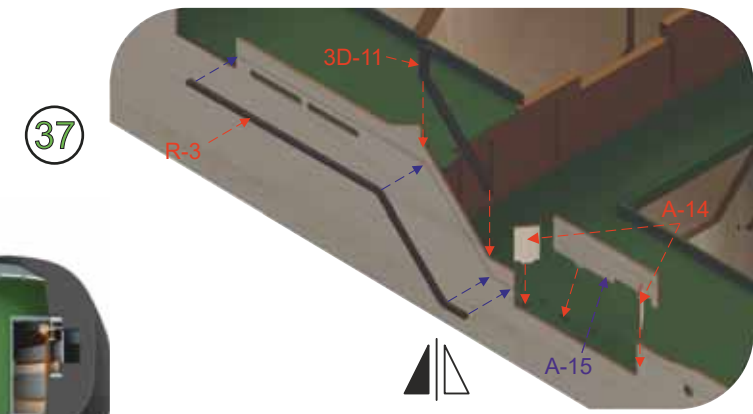
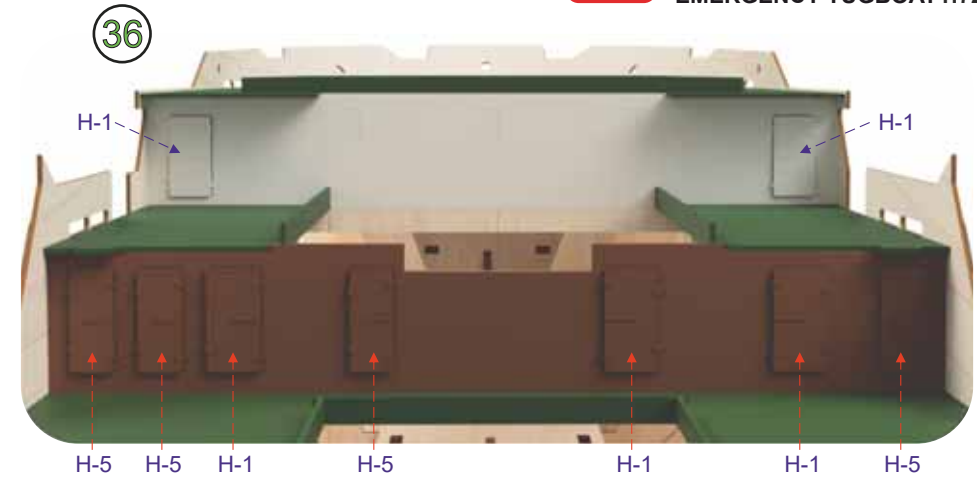
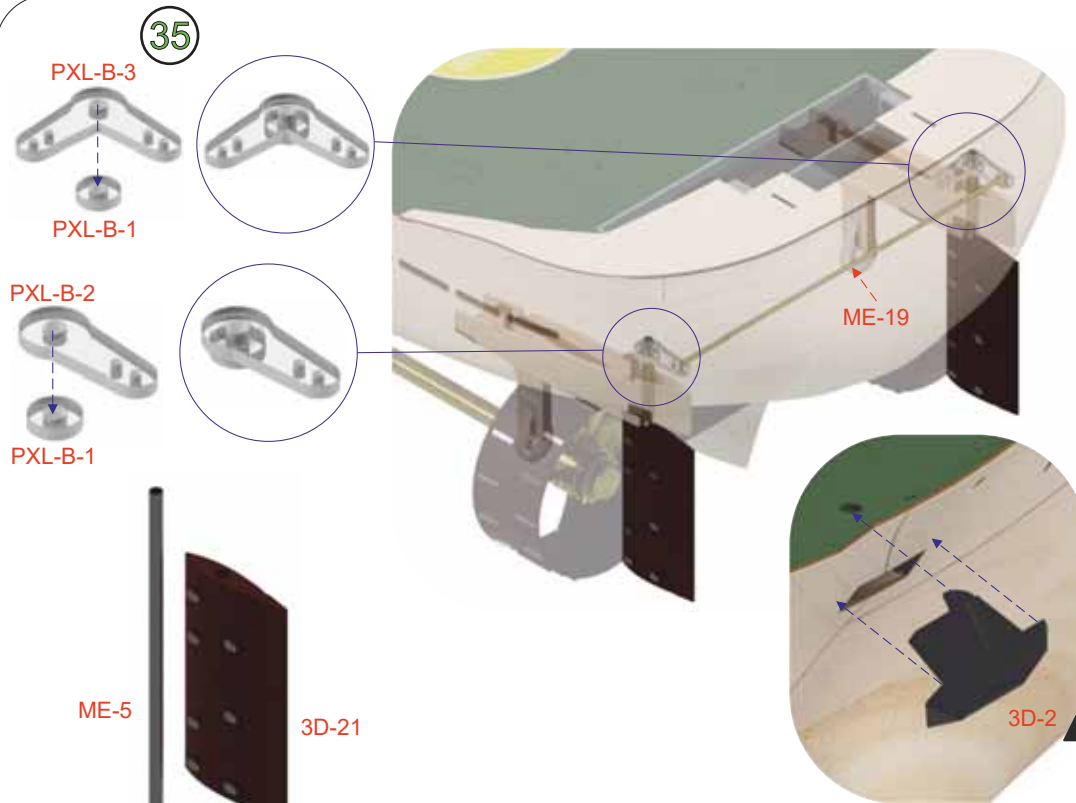
33



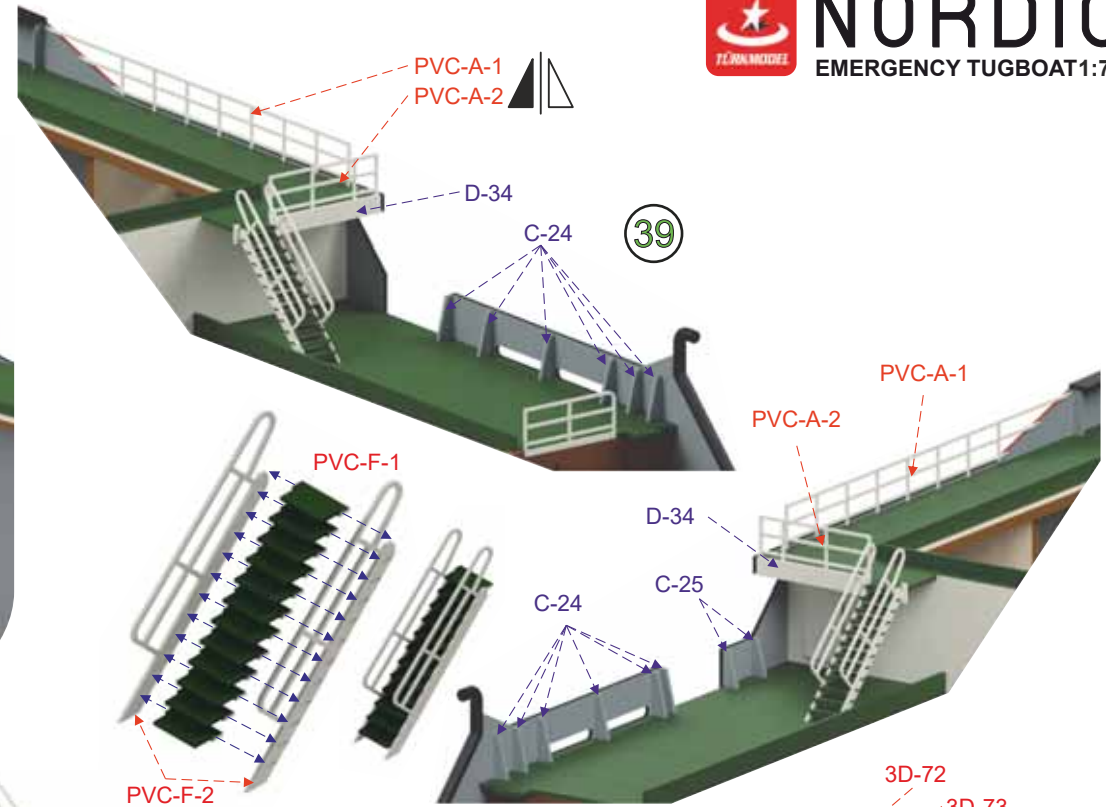
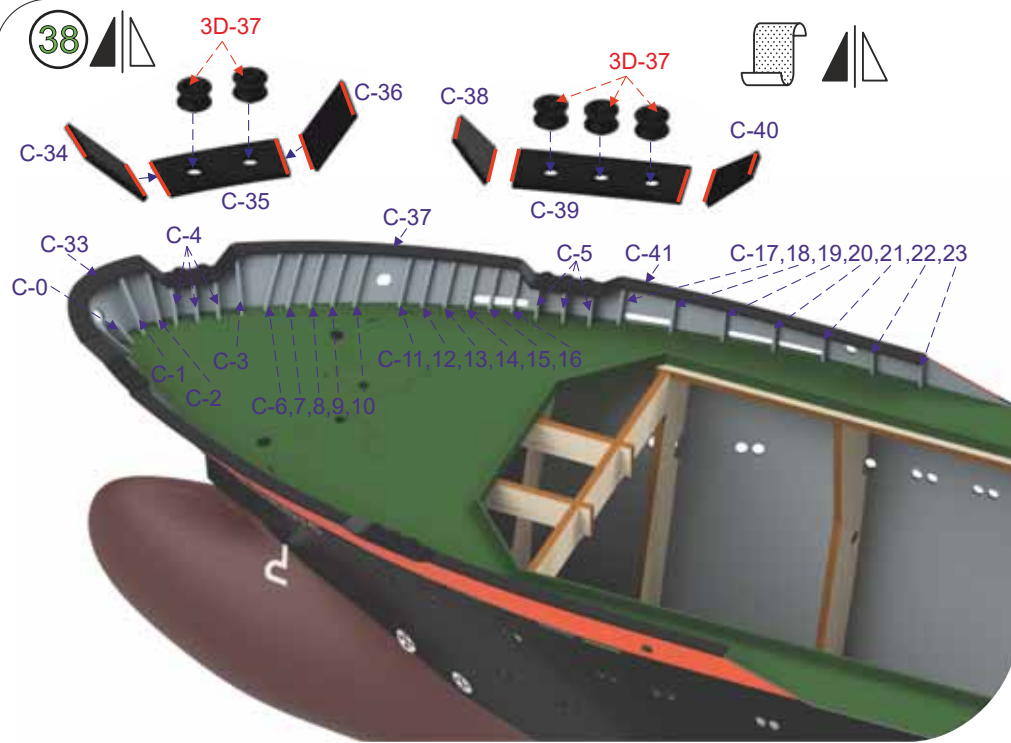
\*Right and left propellers should be made symmetrically.  
(this images for left side)

34

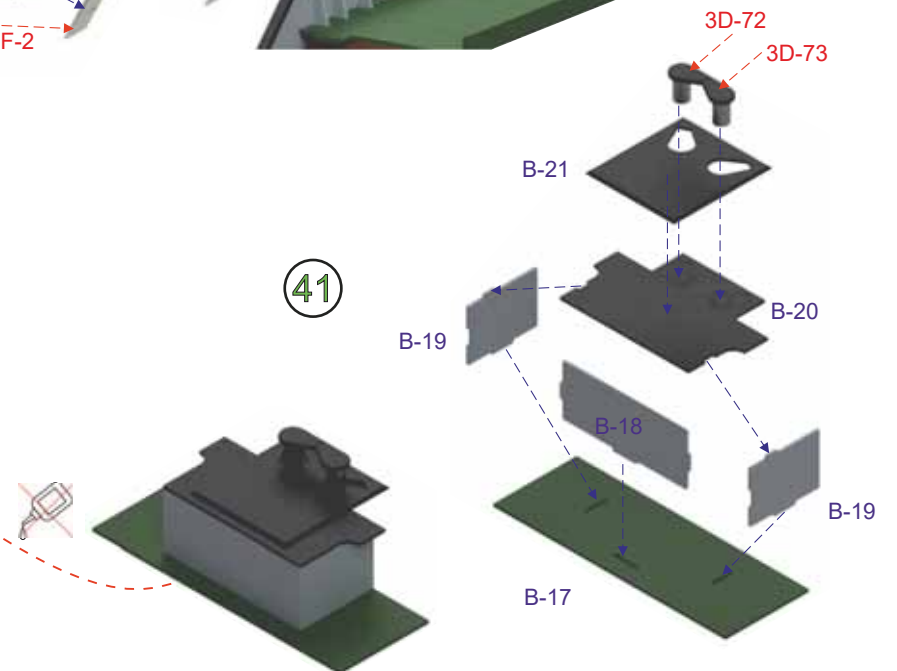
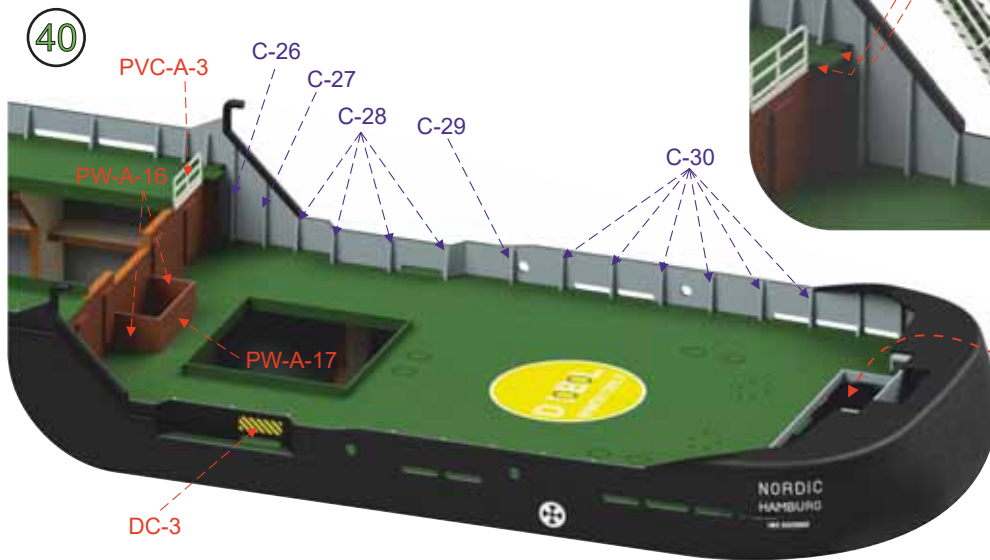
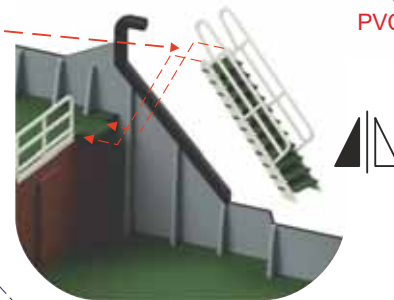




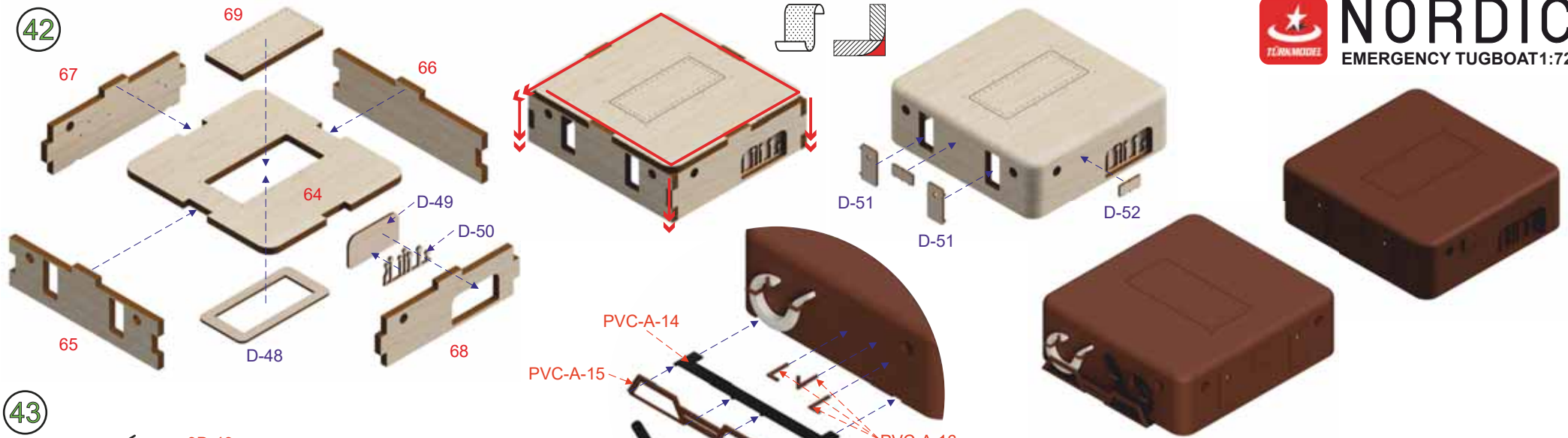




\*Do not include the top step on these stairs



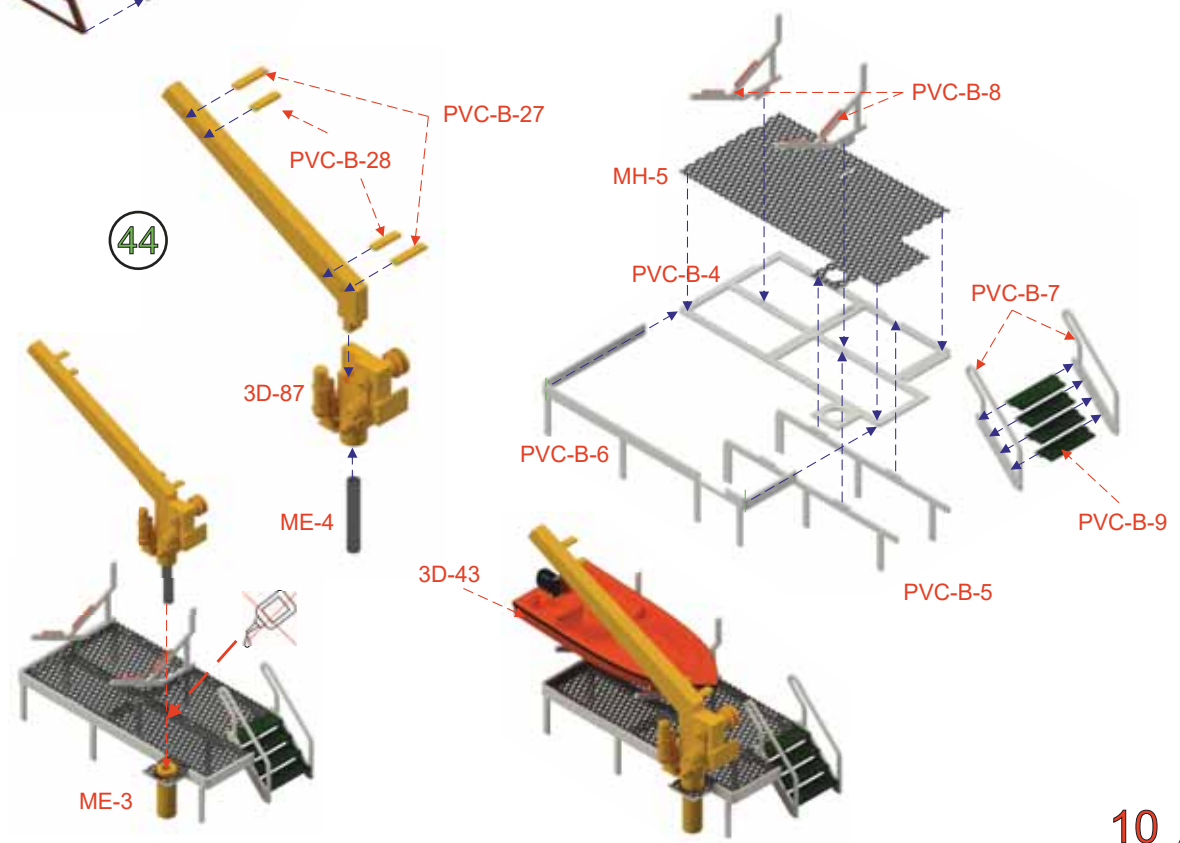
42



43

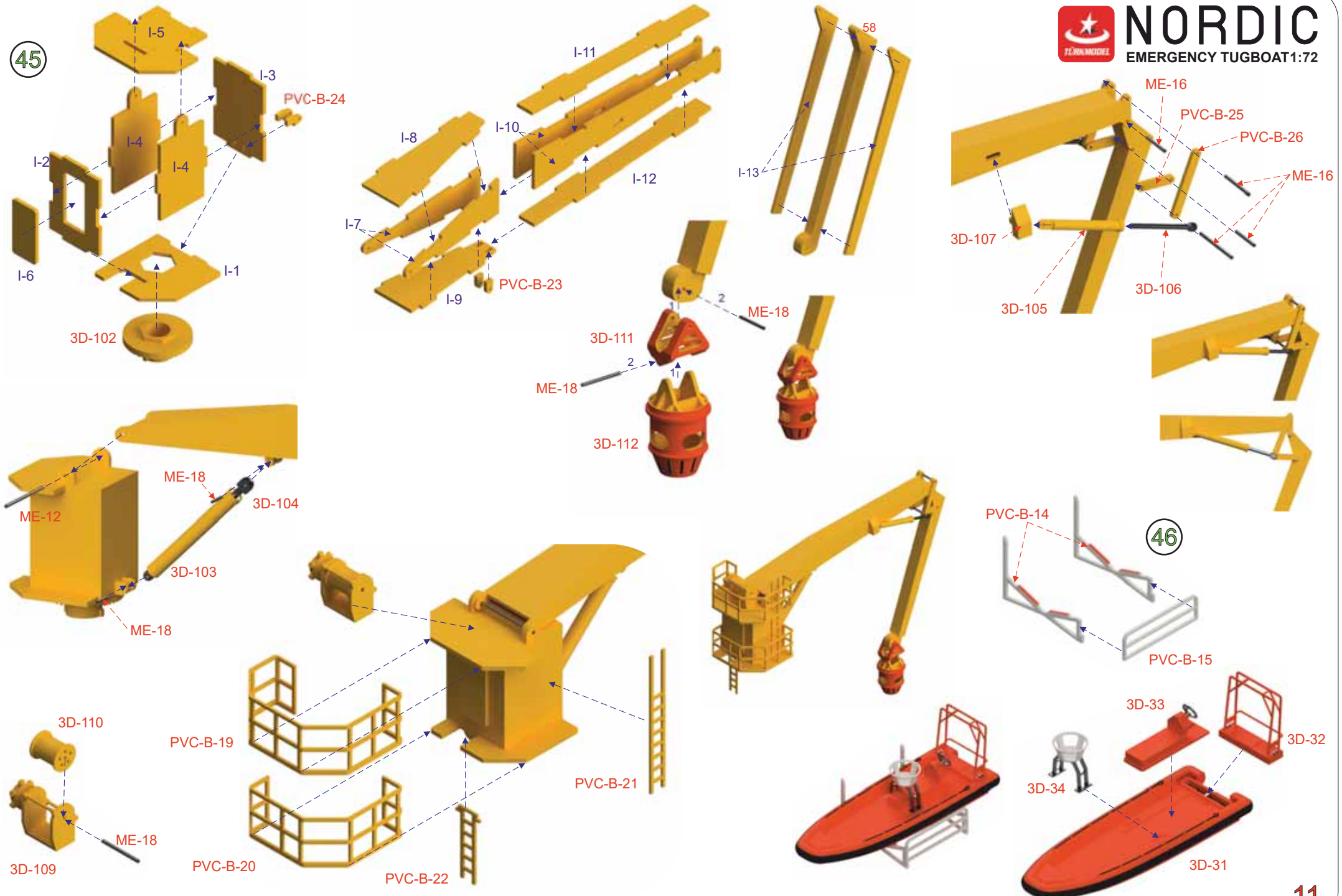


44

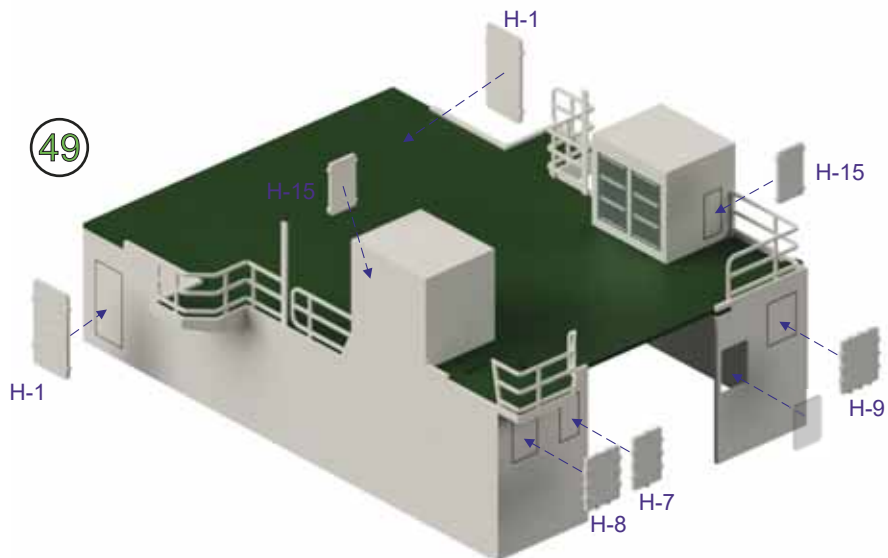
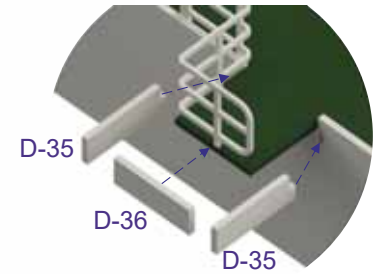
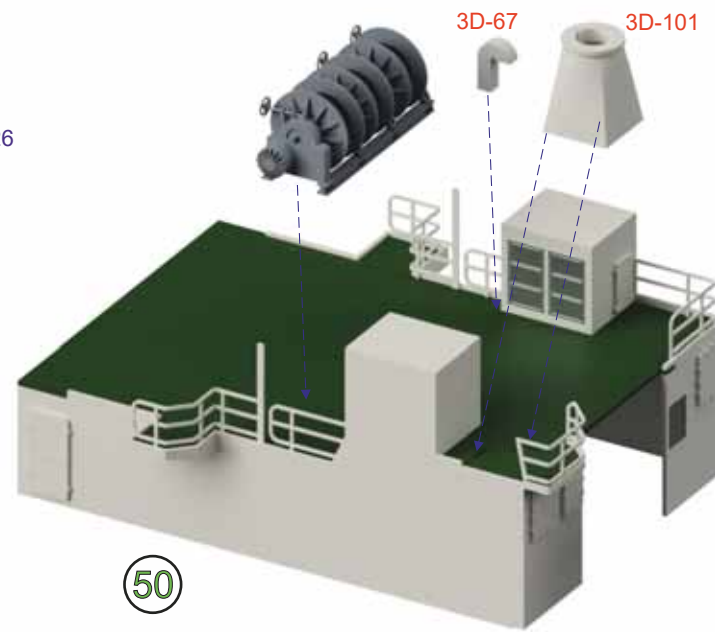
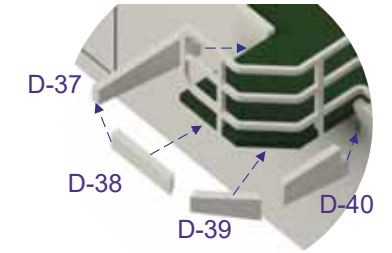
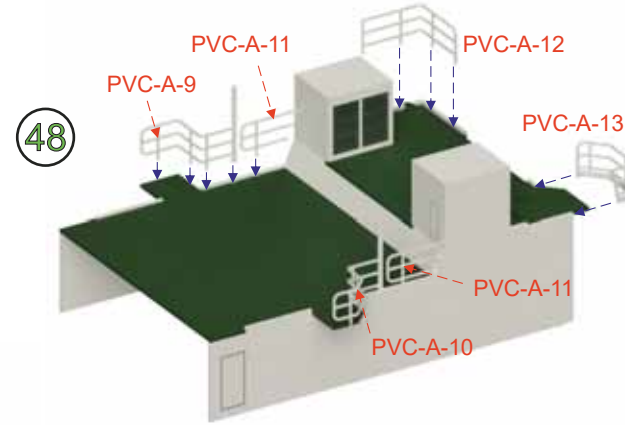
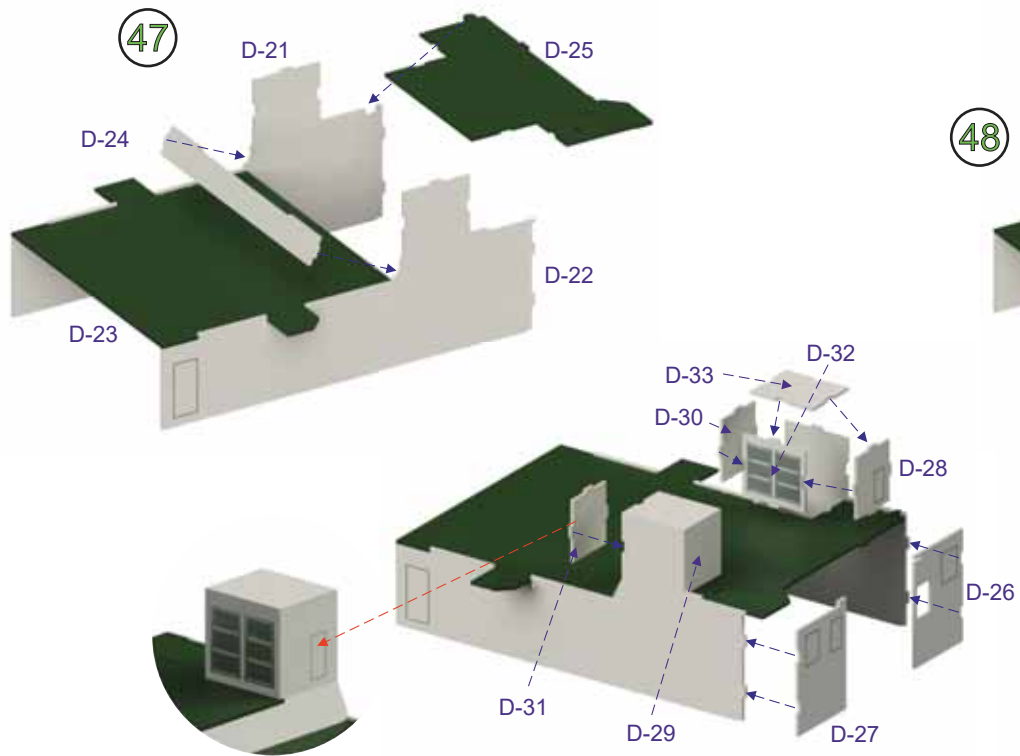




45



46



51 x2

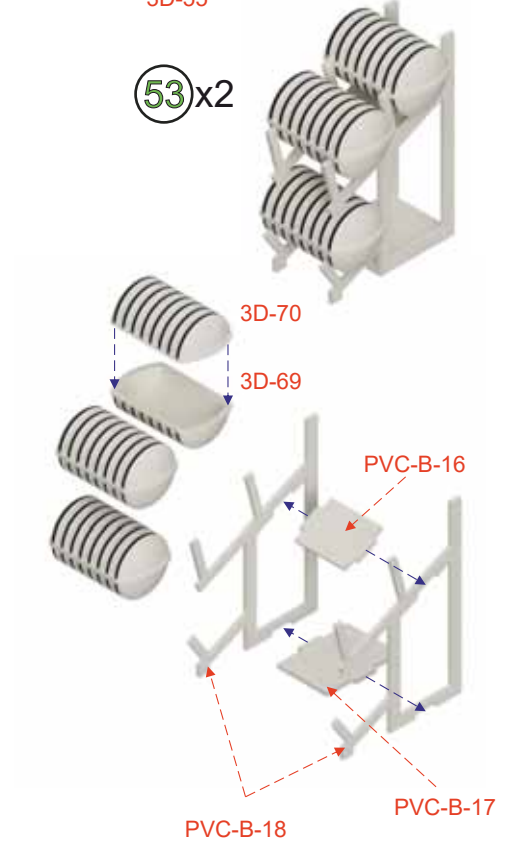


52 x2

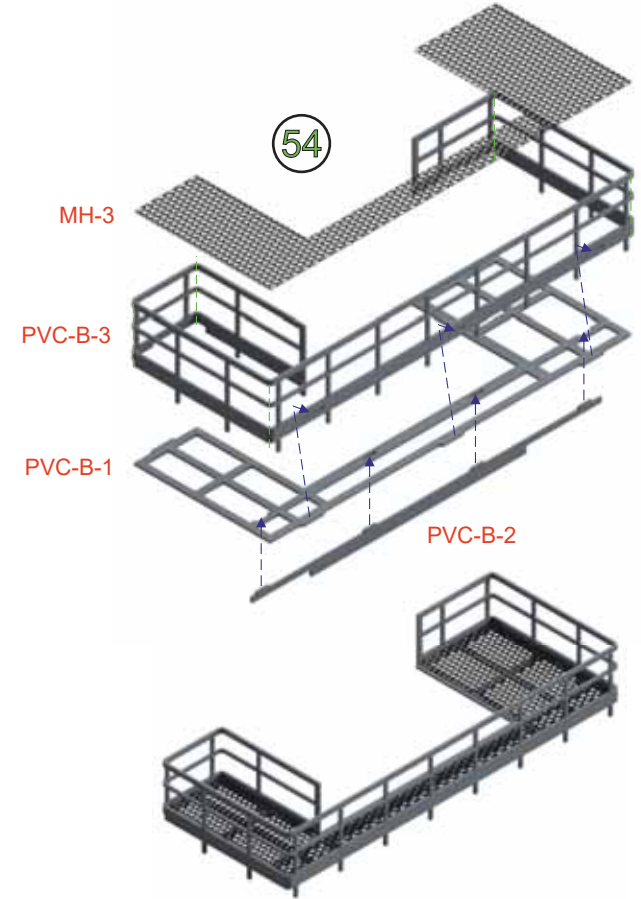


\*Right and left winches should be made symmetrically. (this images for right side)

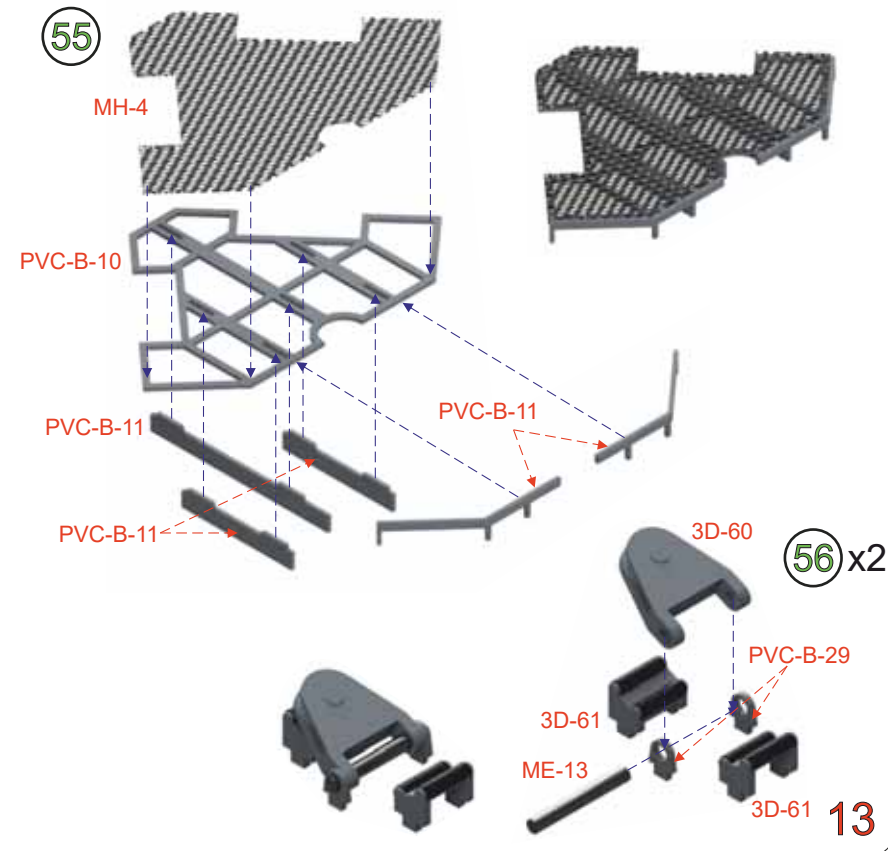
53 x2



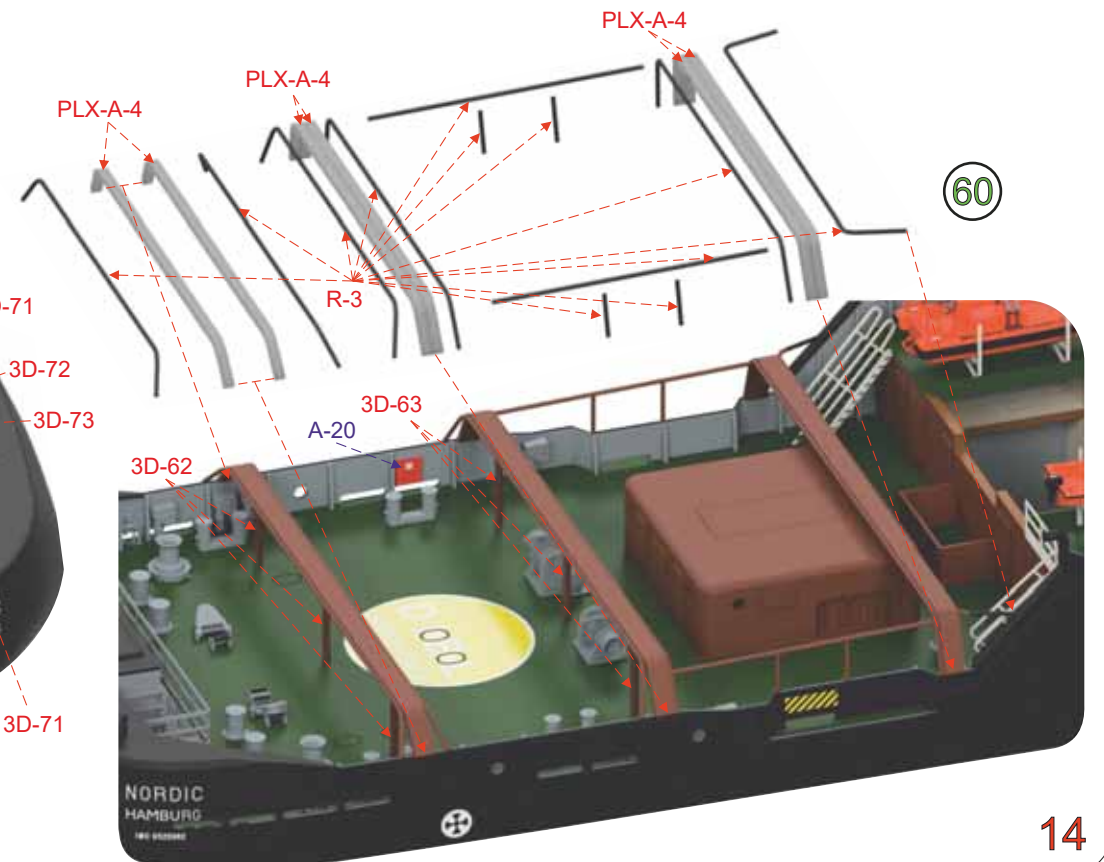
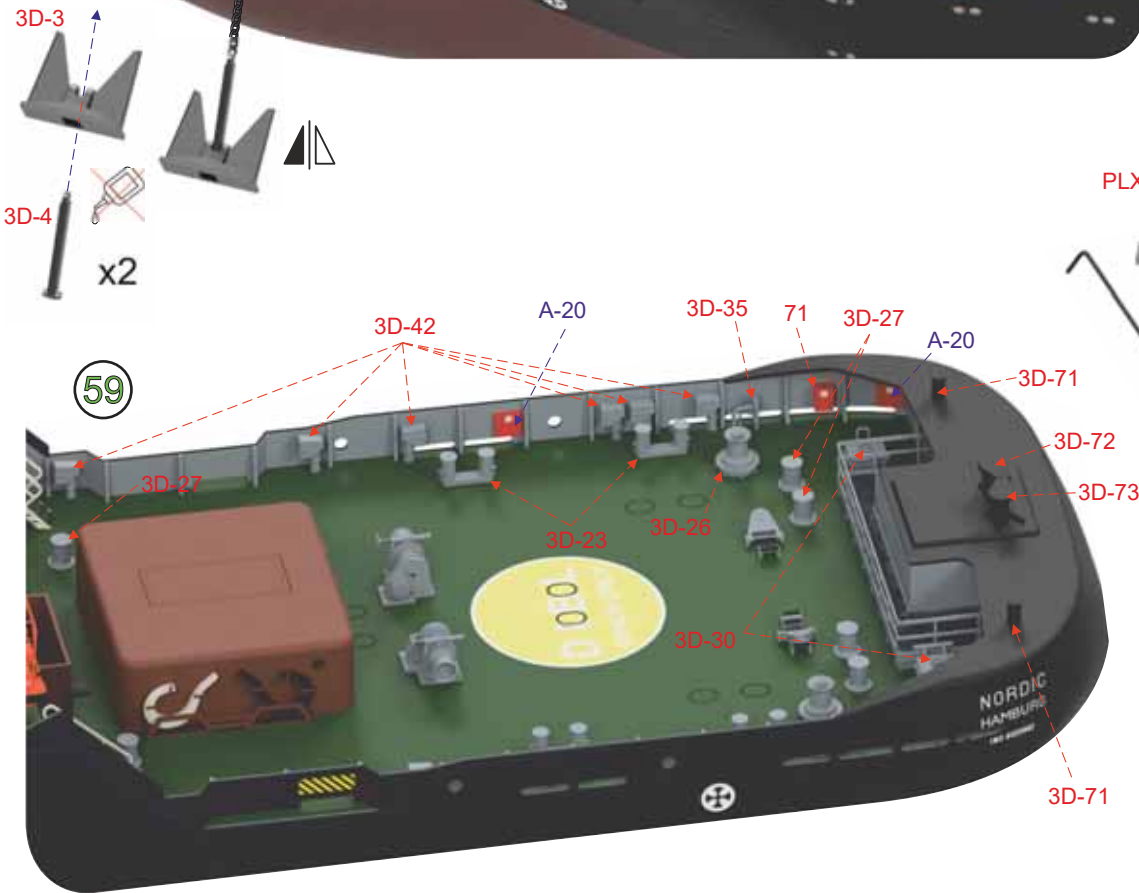
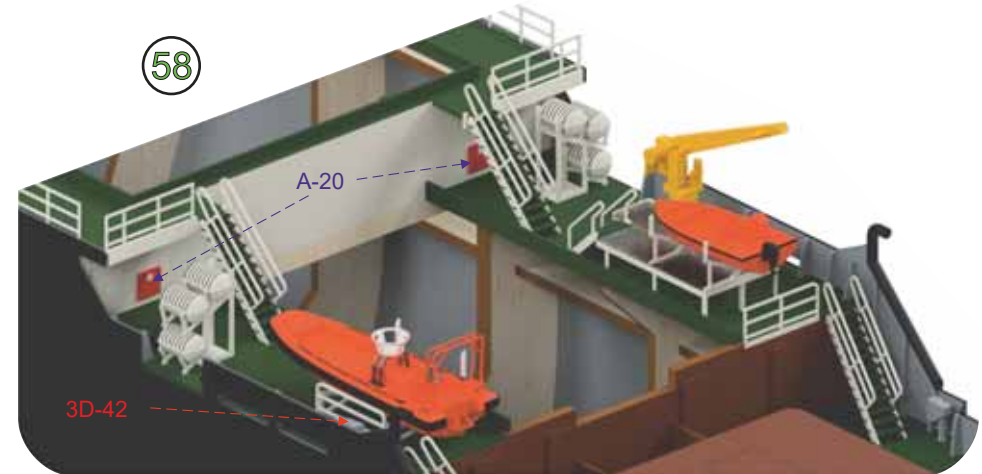
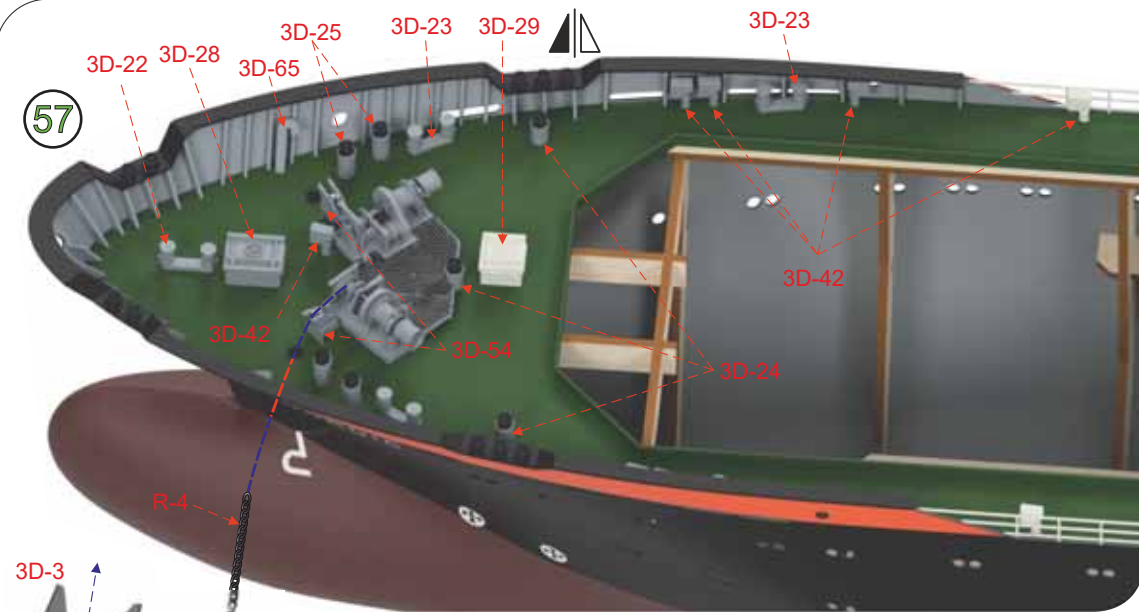
54



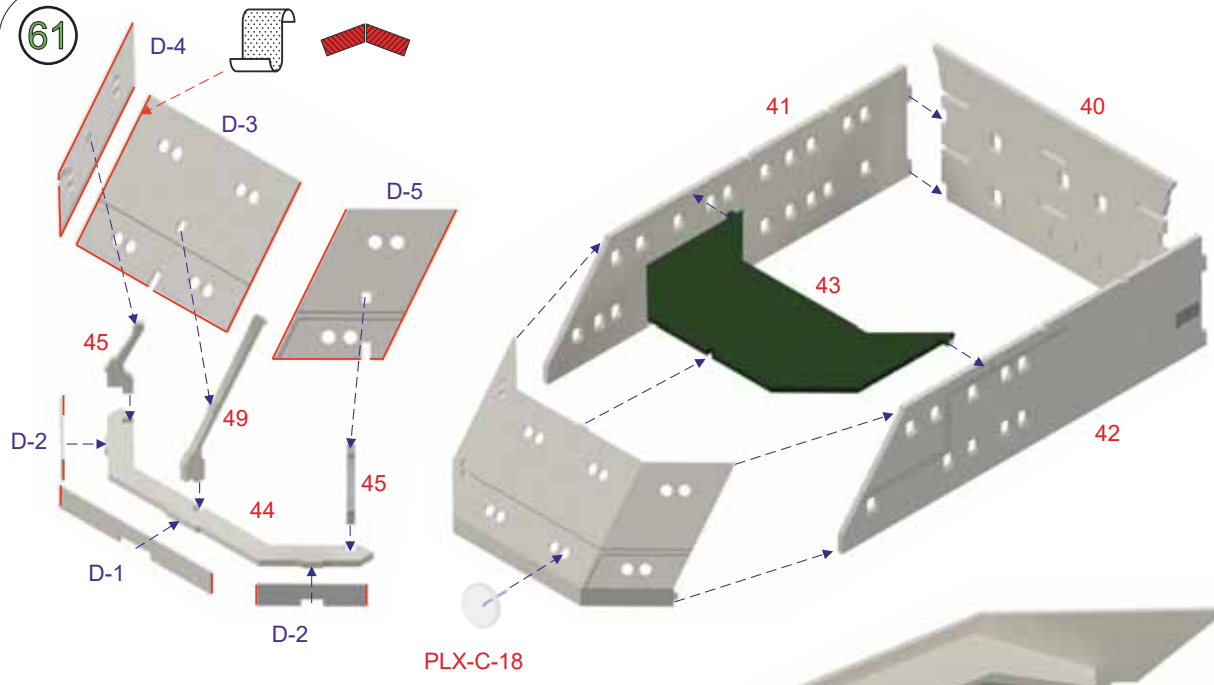
55



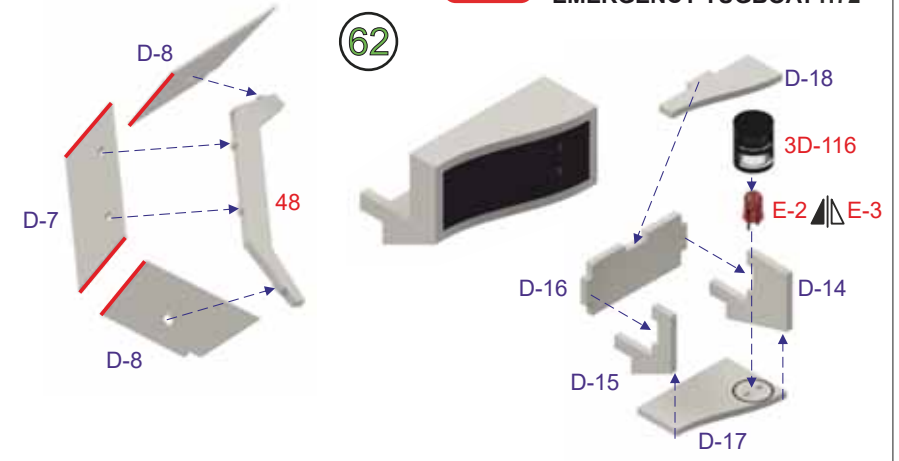
56 x2



61

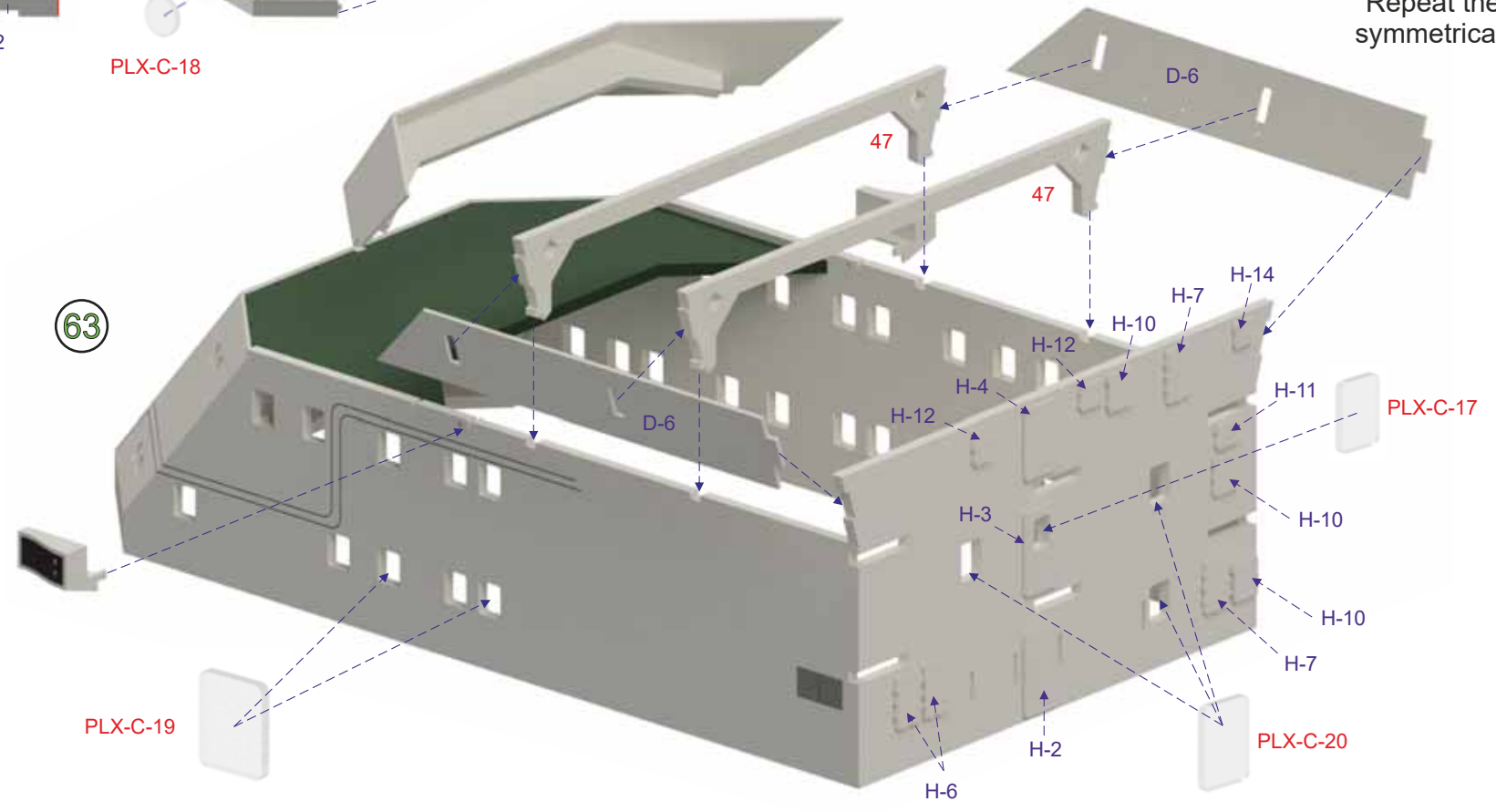


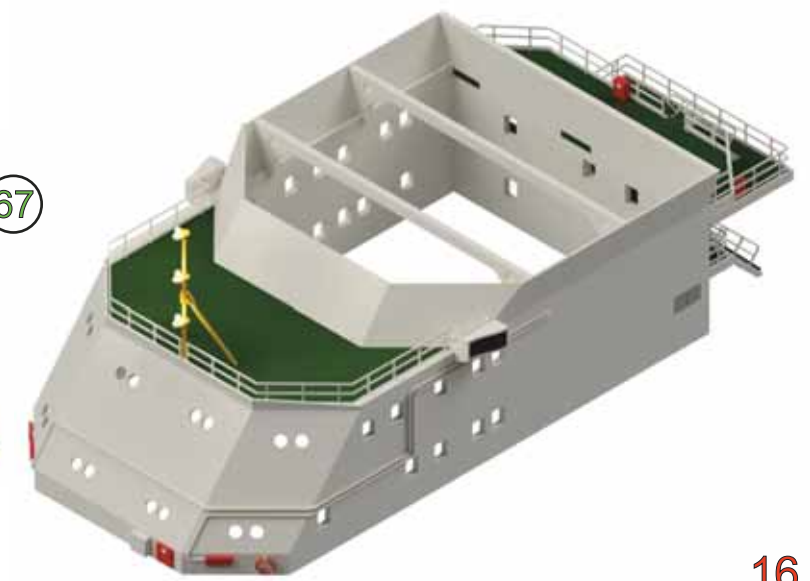
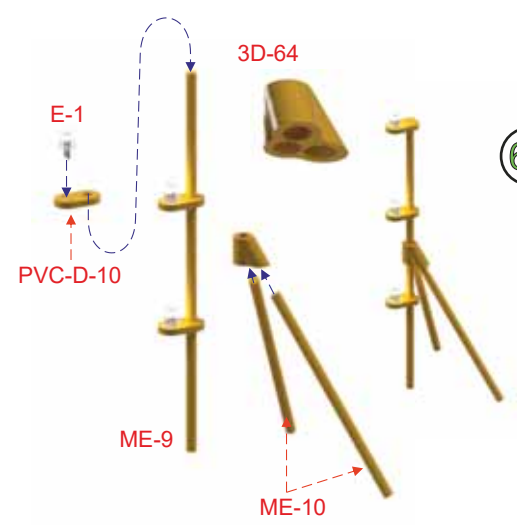
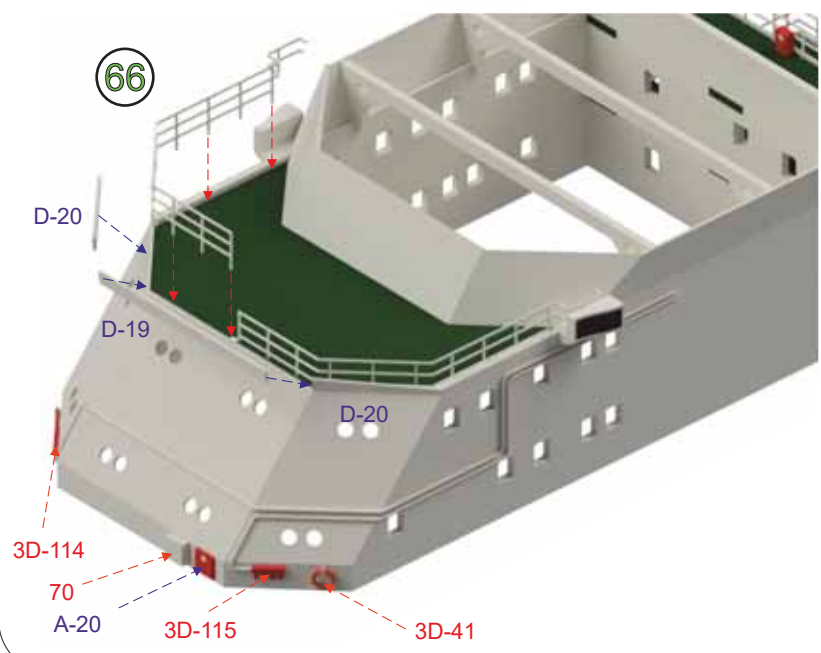
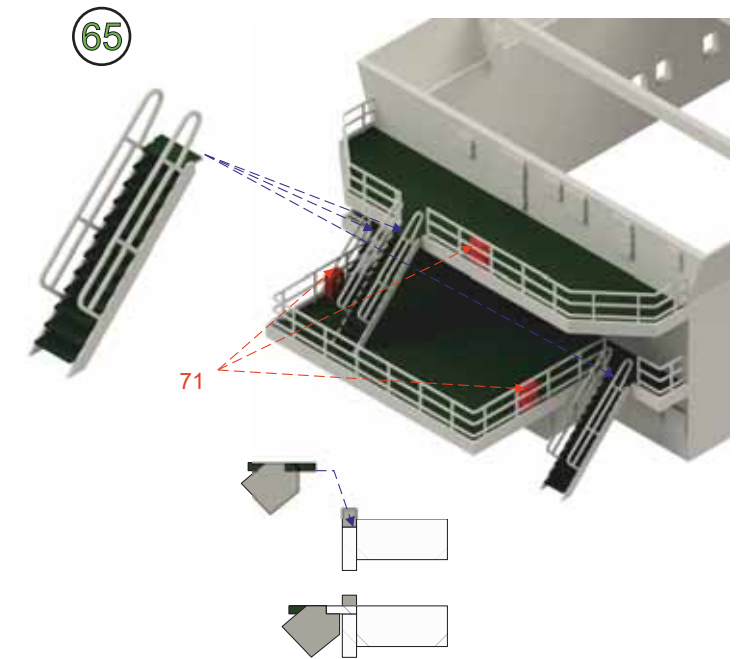
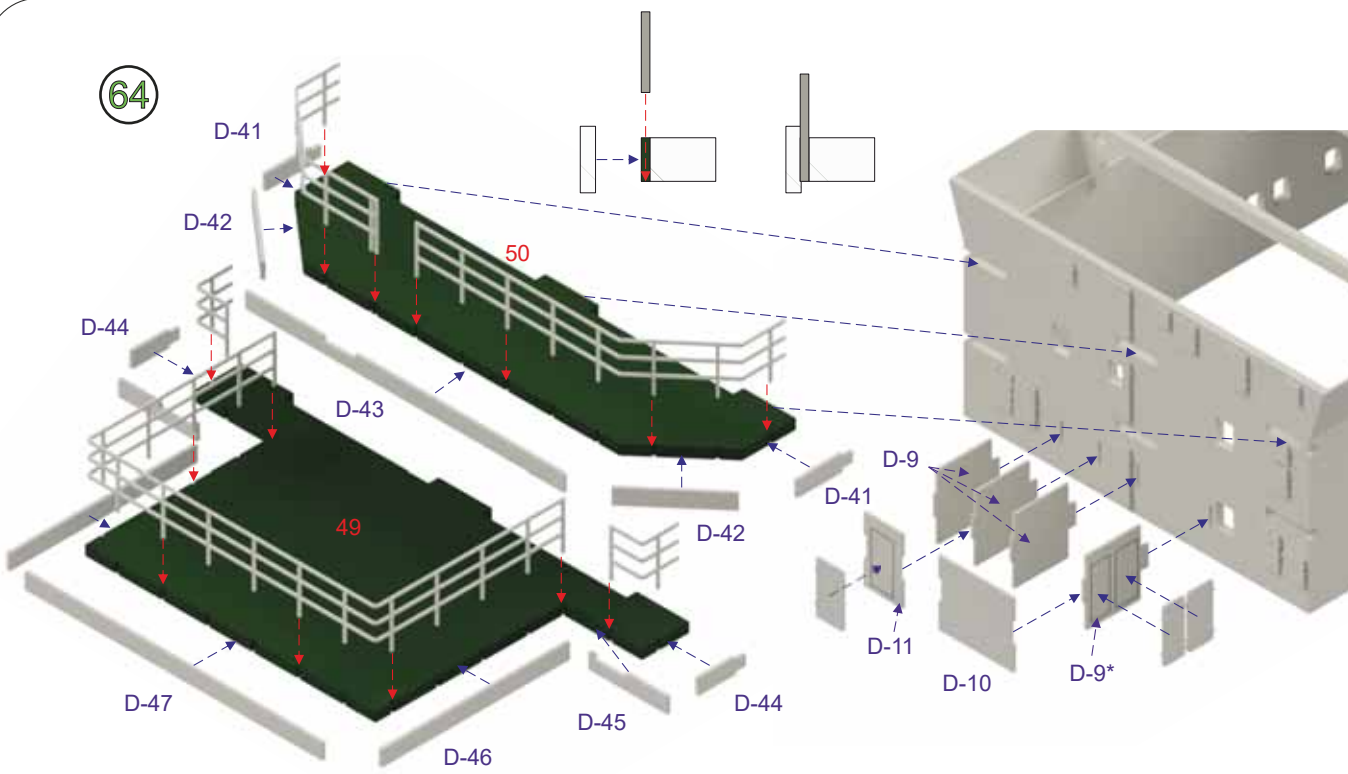
62



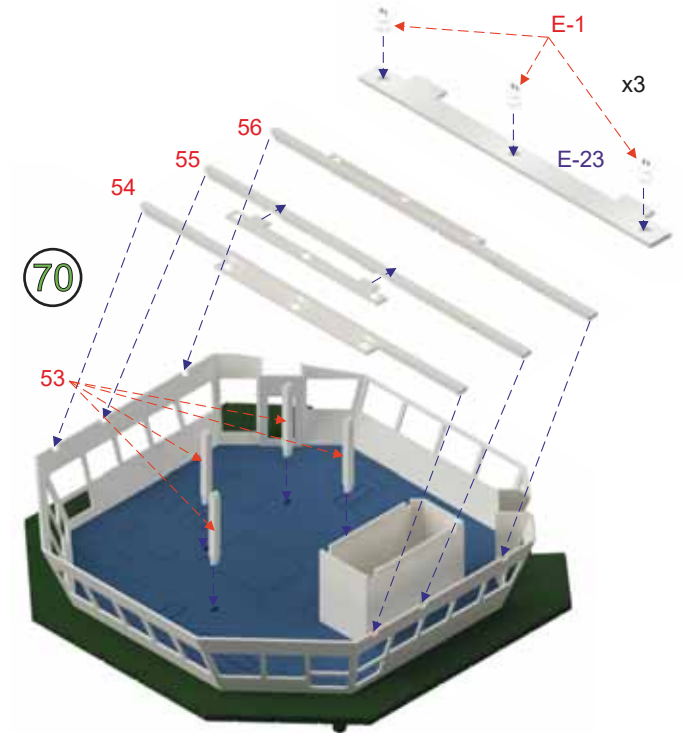
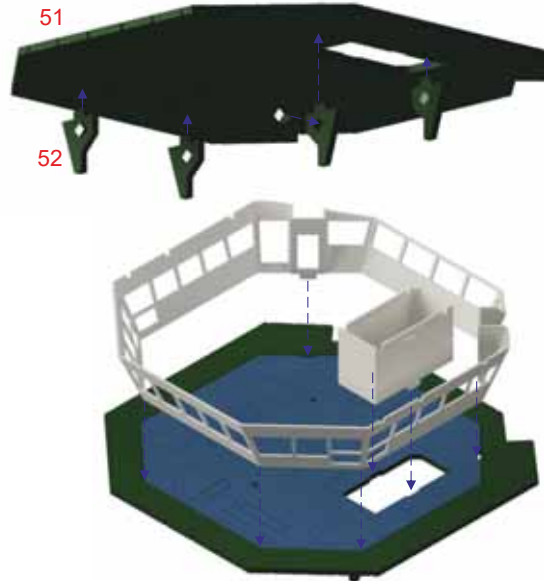
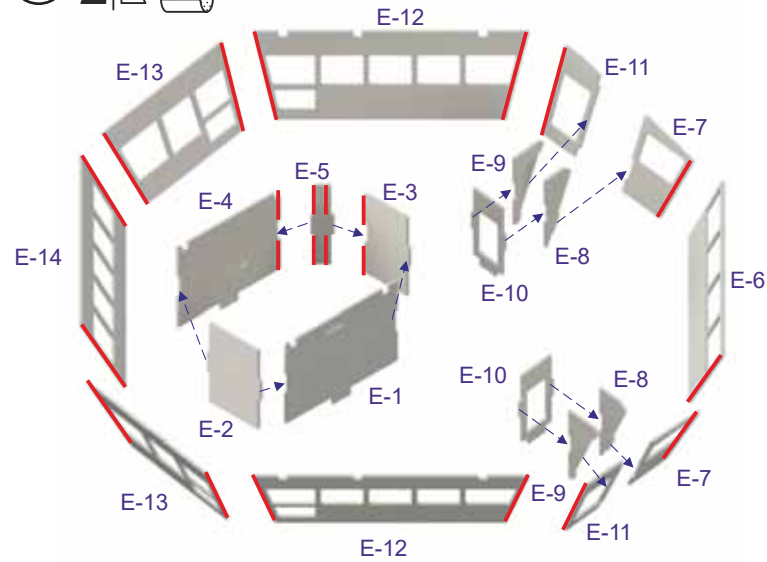
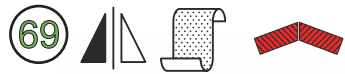
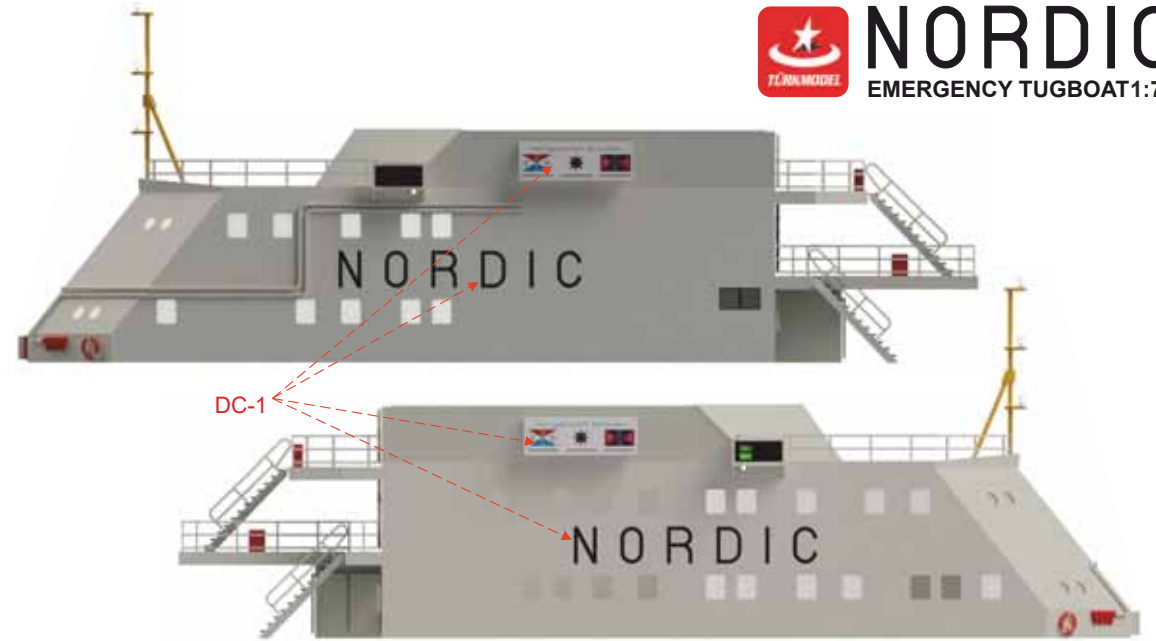
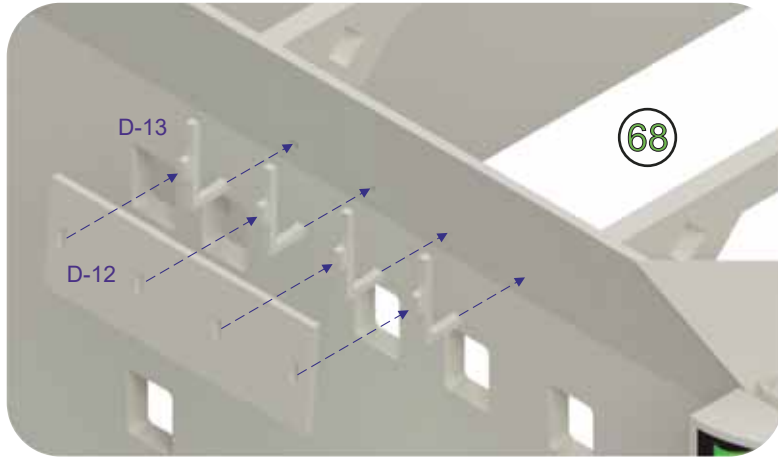
\*Repeat the same process symmetrical for left light.

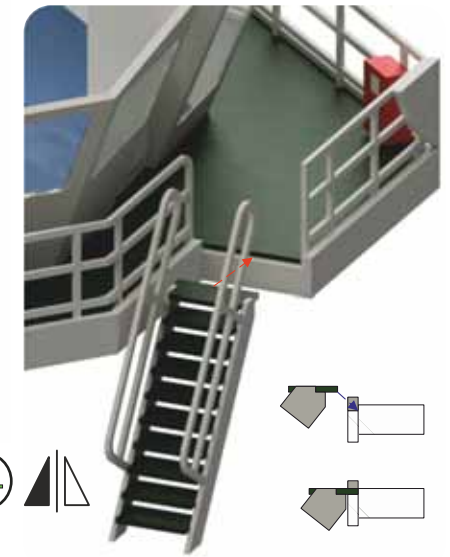
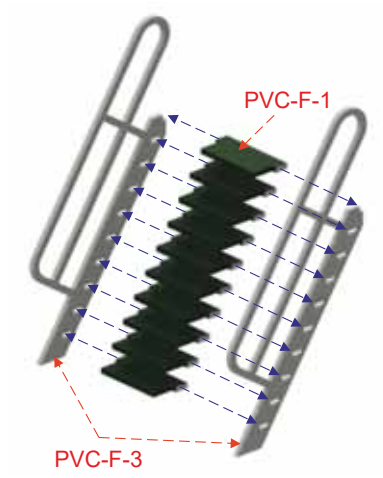
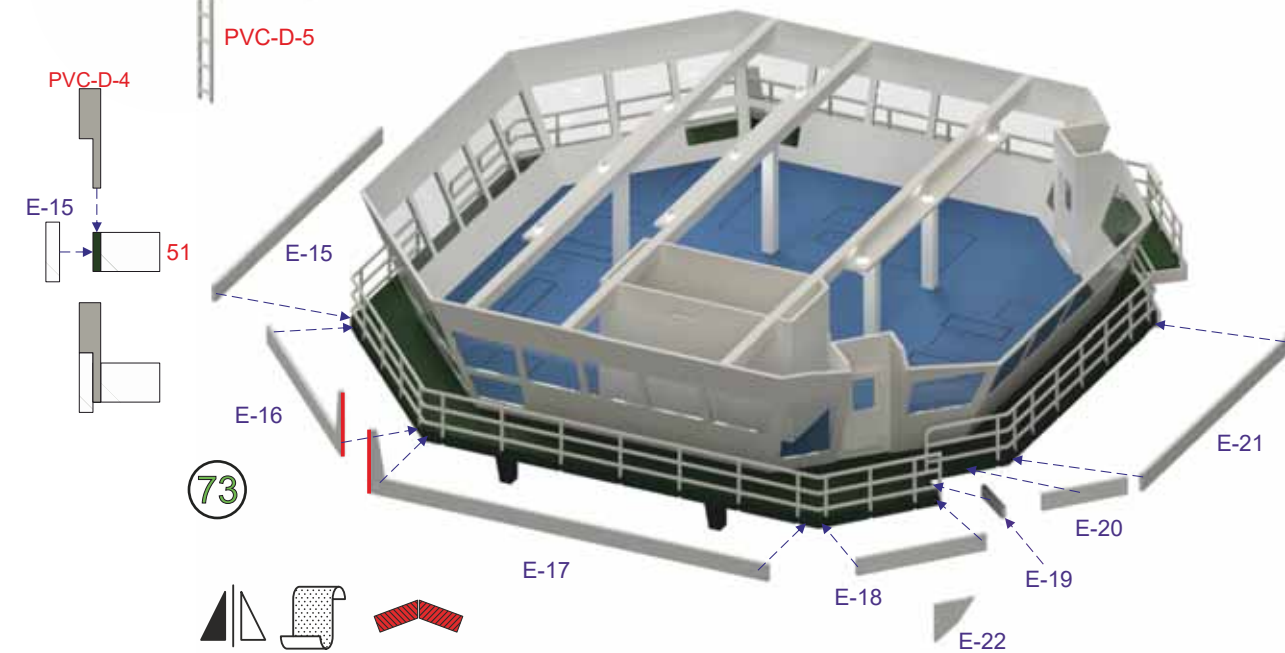
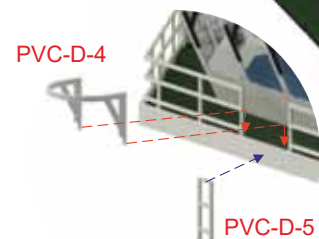
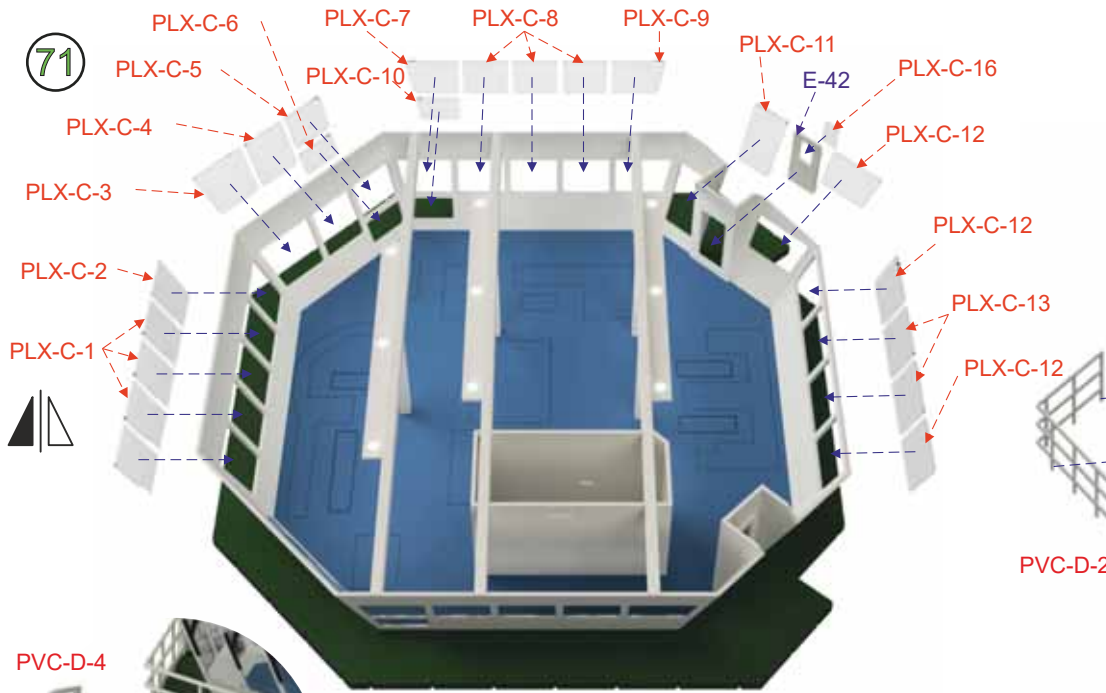
63

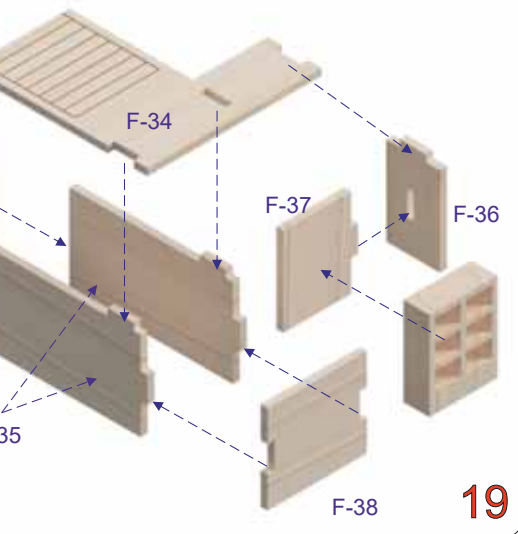
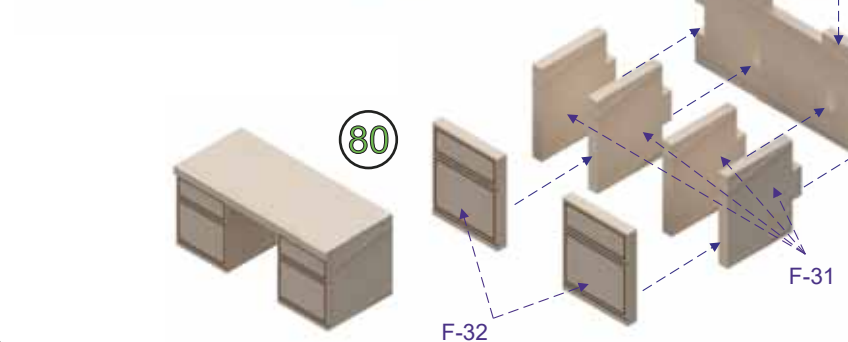
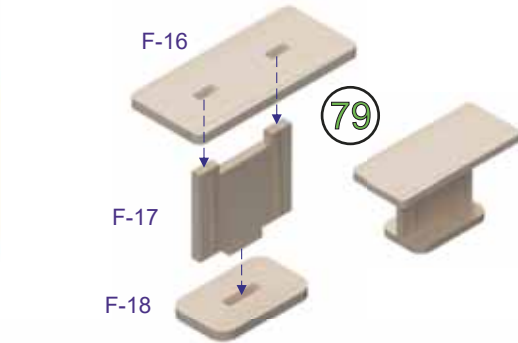
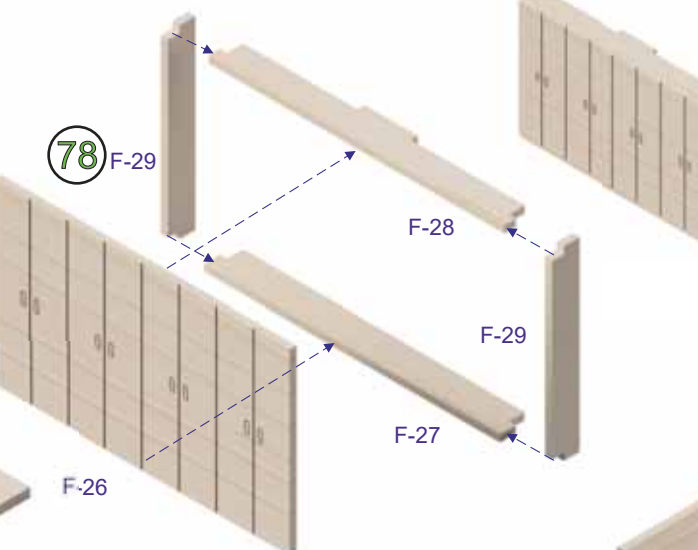
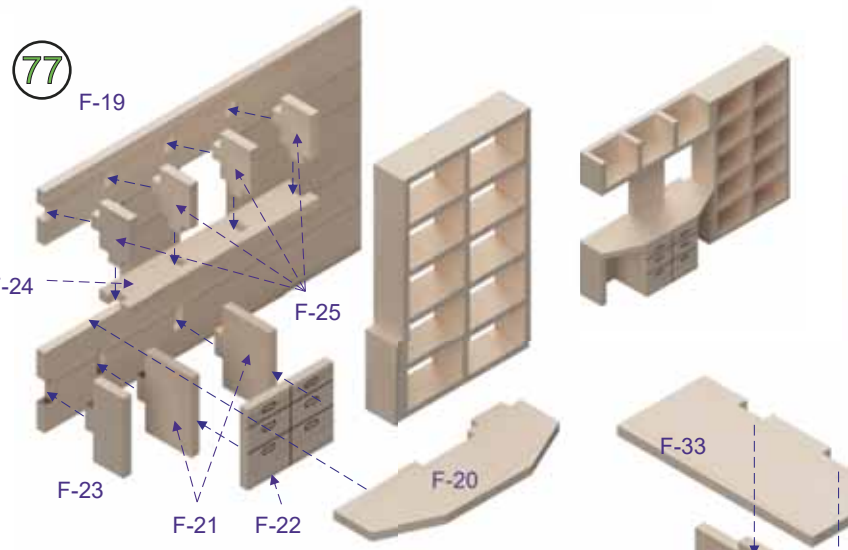
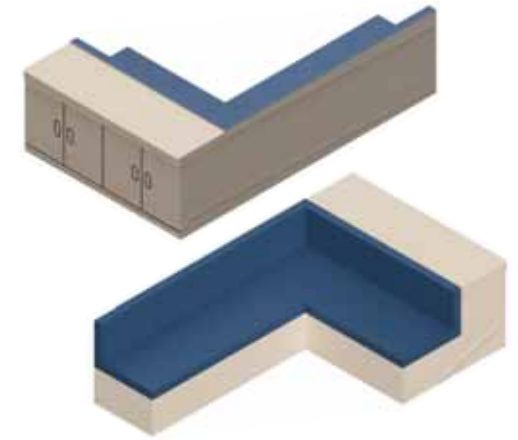
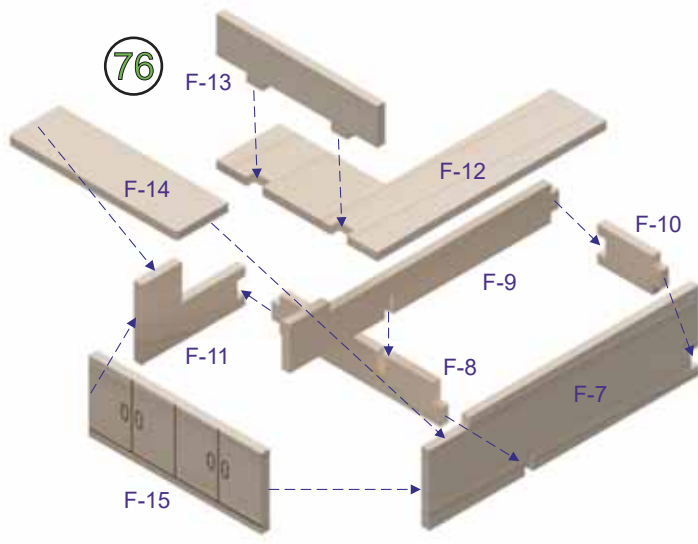
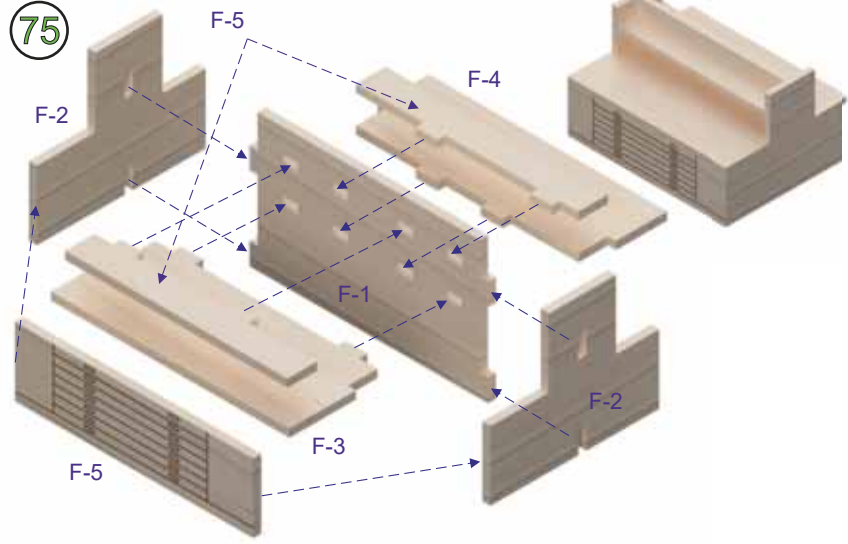




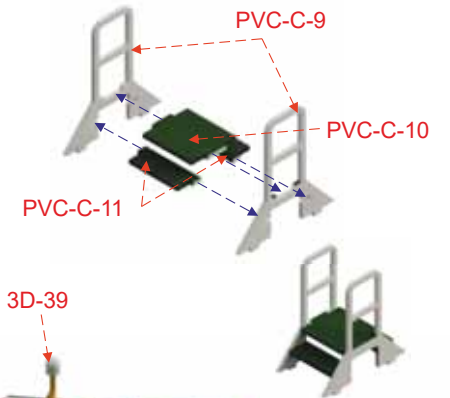
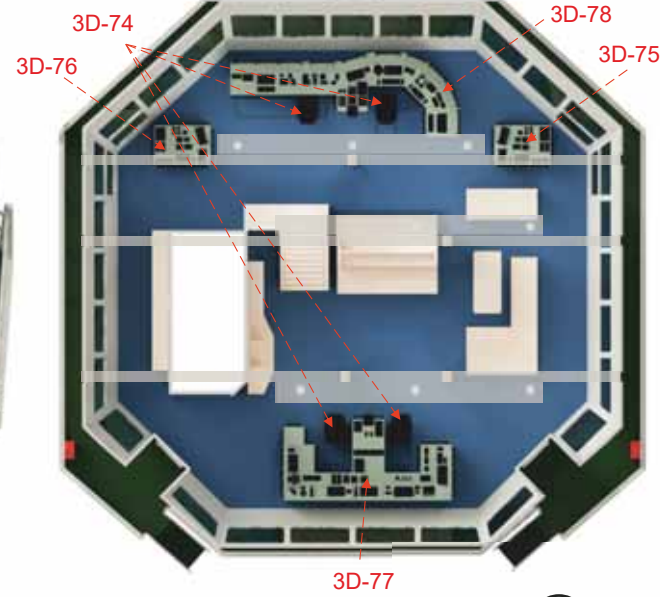
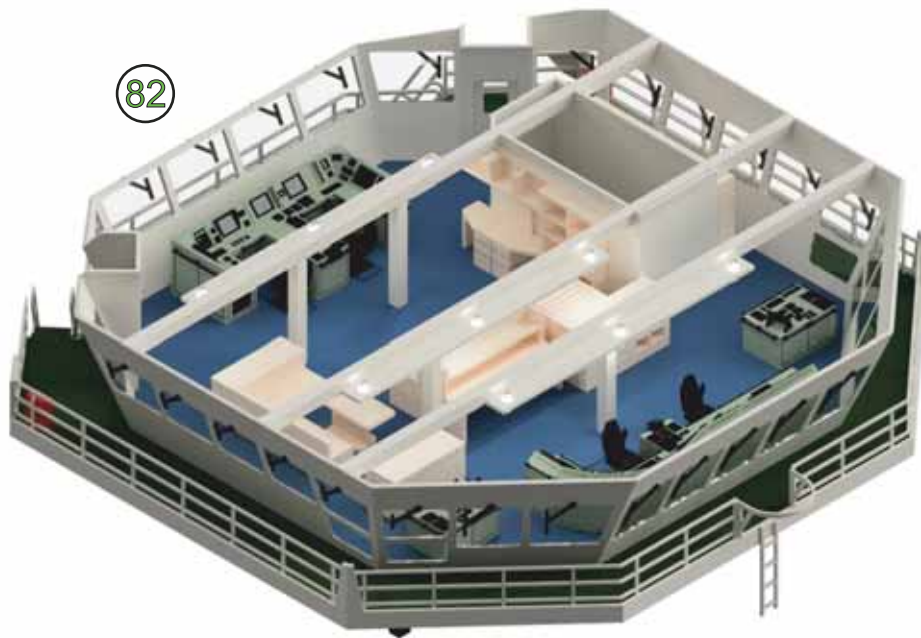




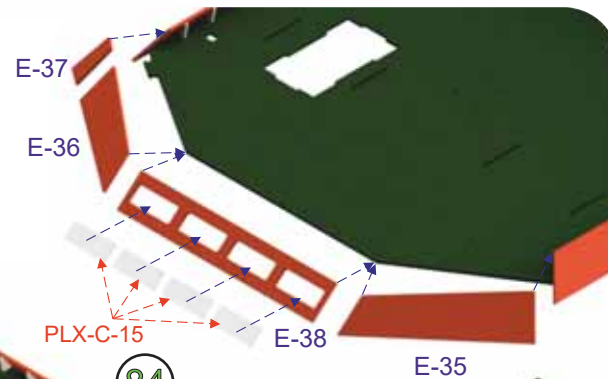




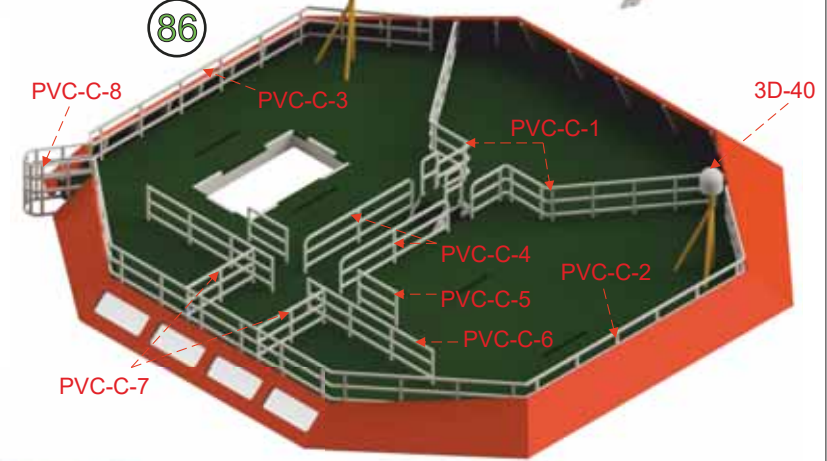
82



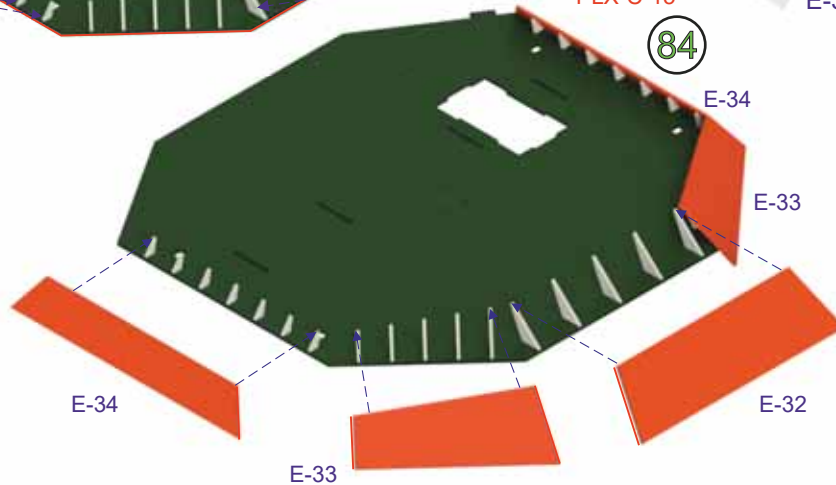
83



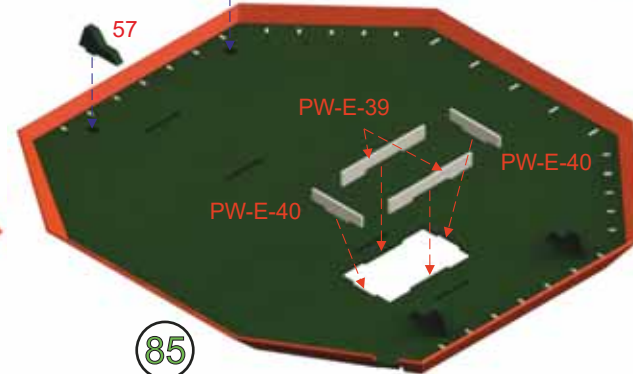
86



84

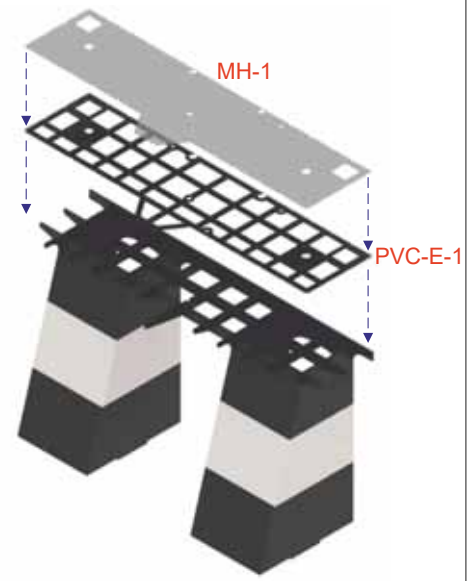
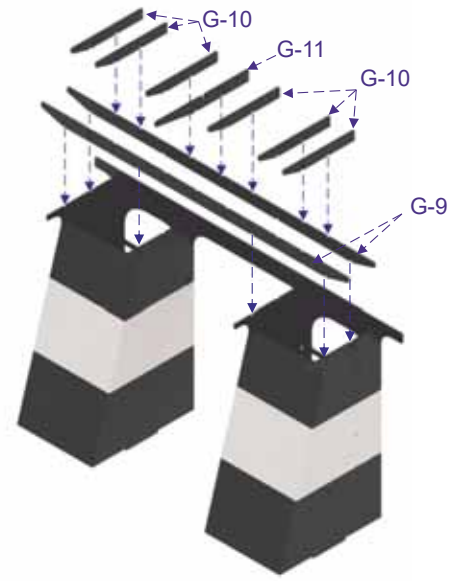
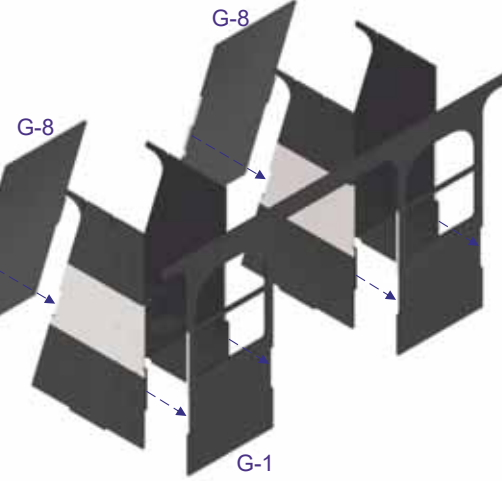
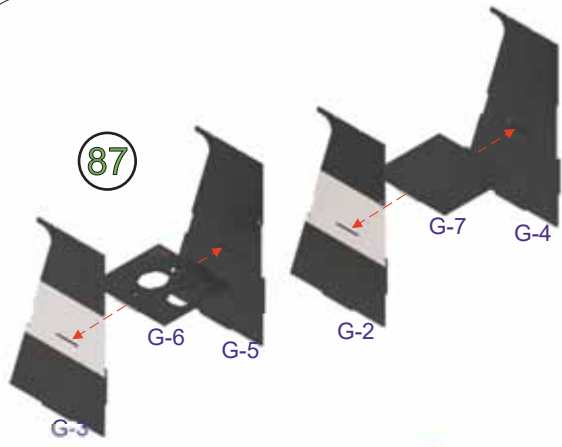


85

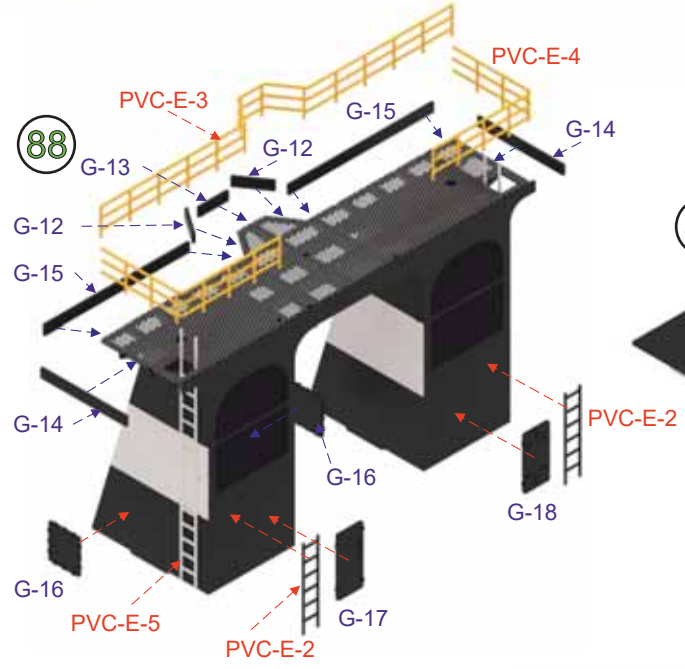




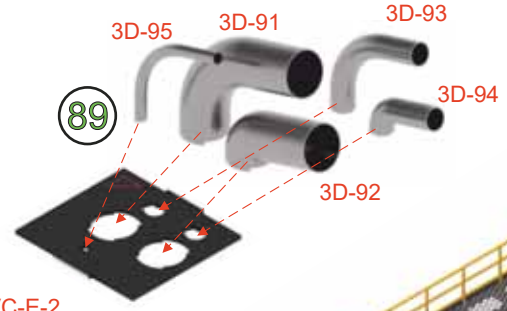
87



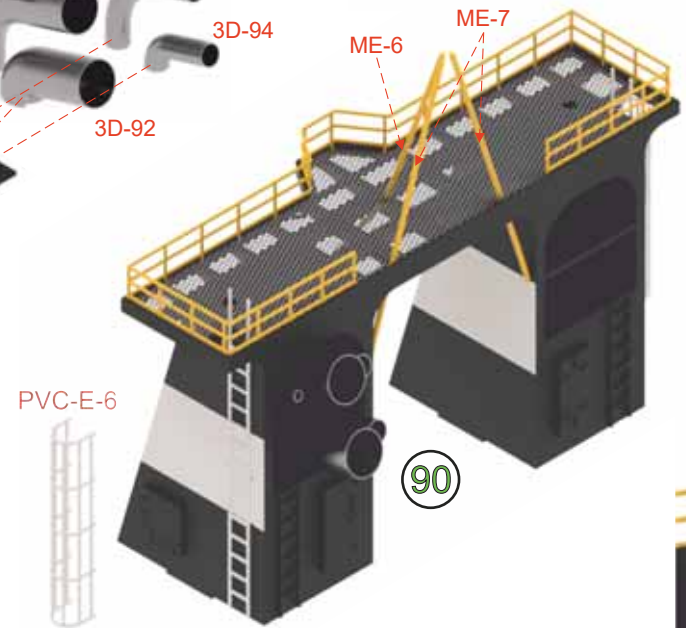
88



89



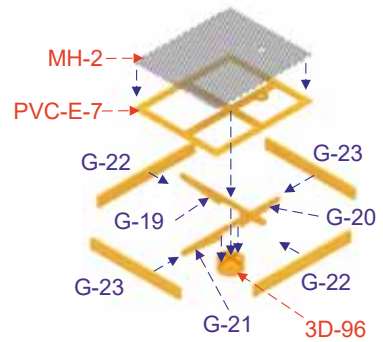
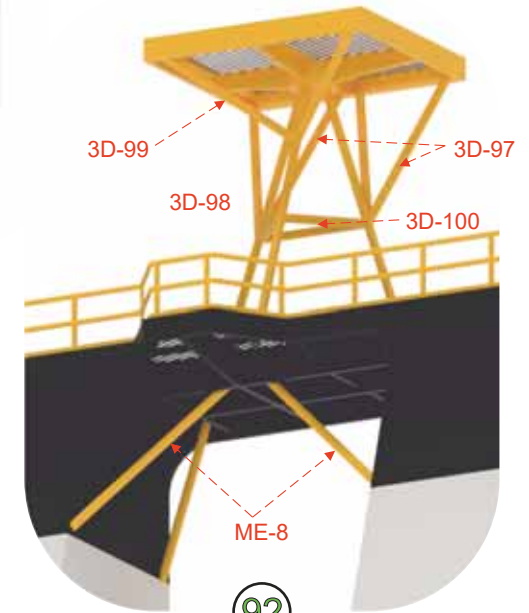
90

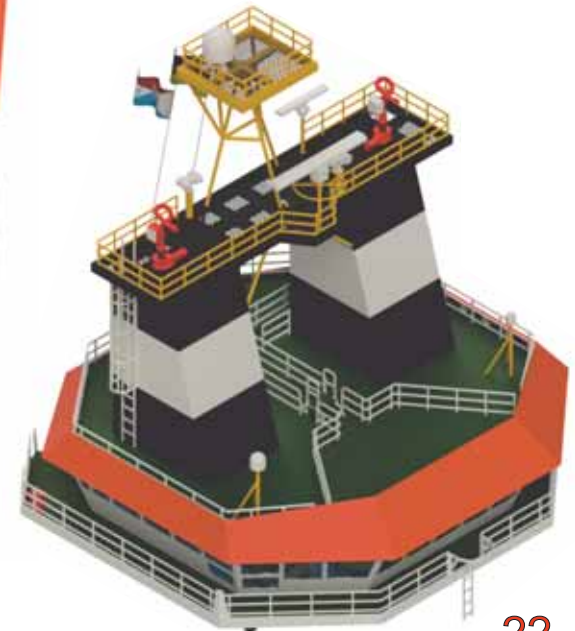
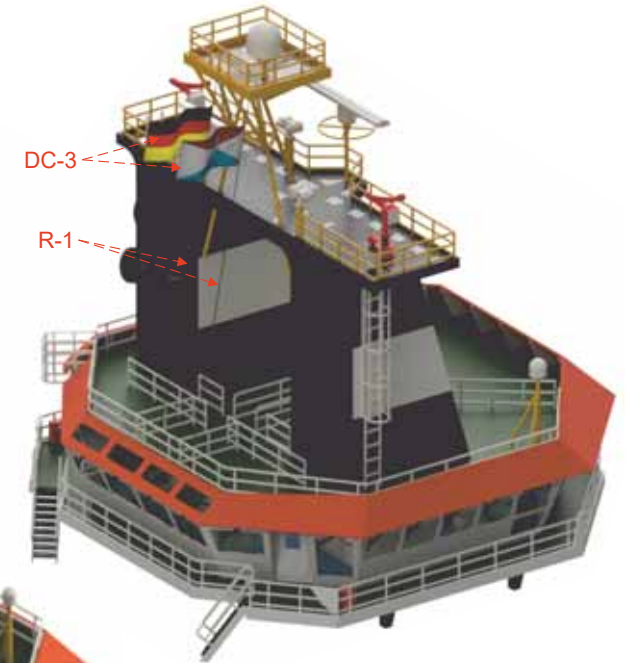
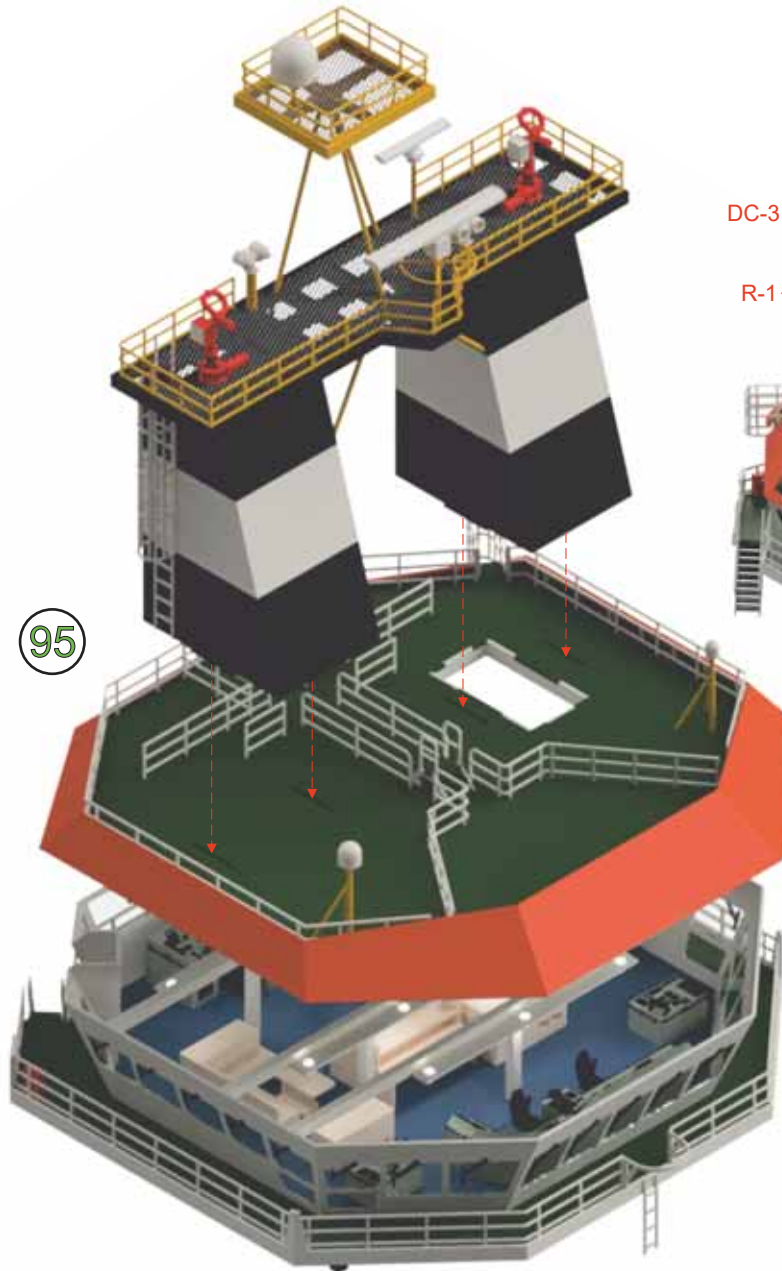
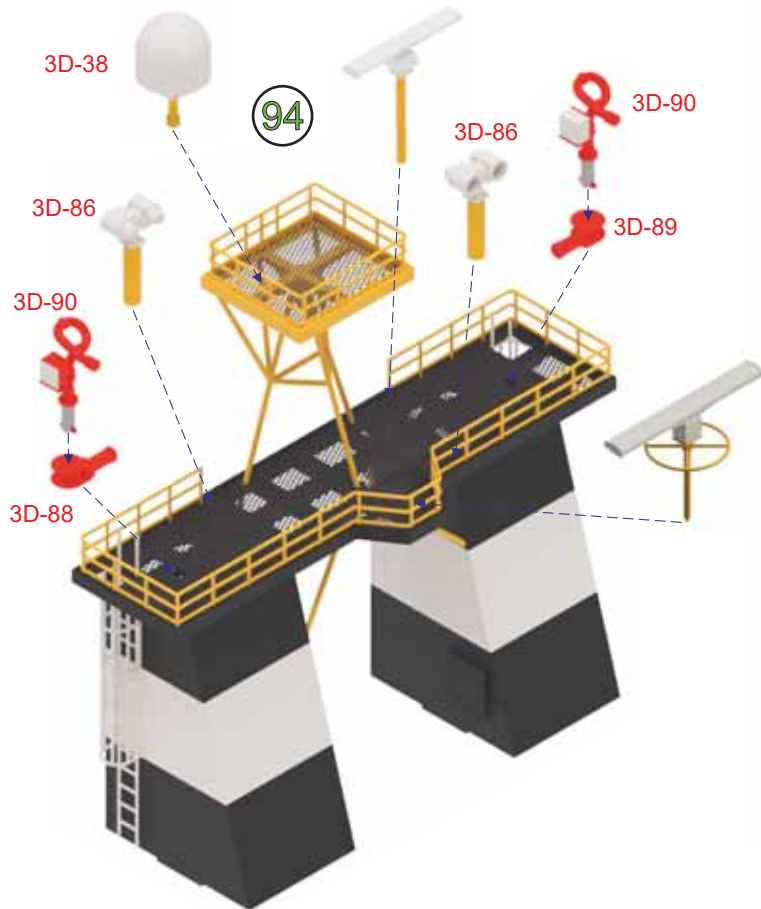
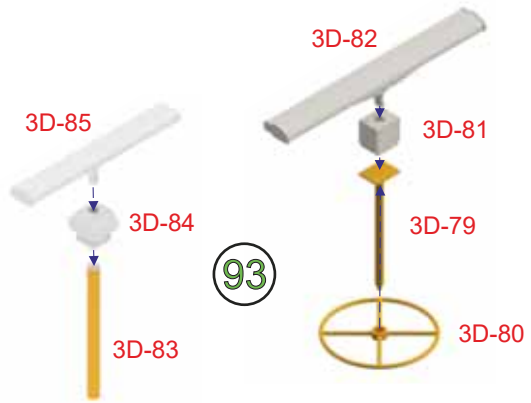


91

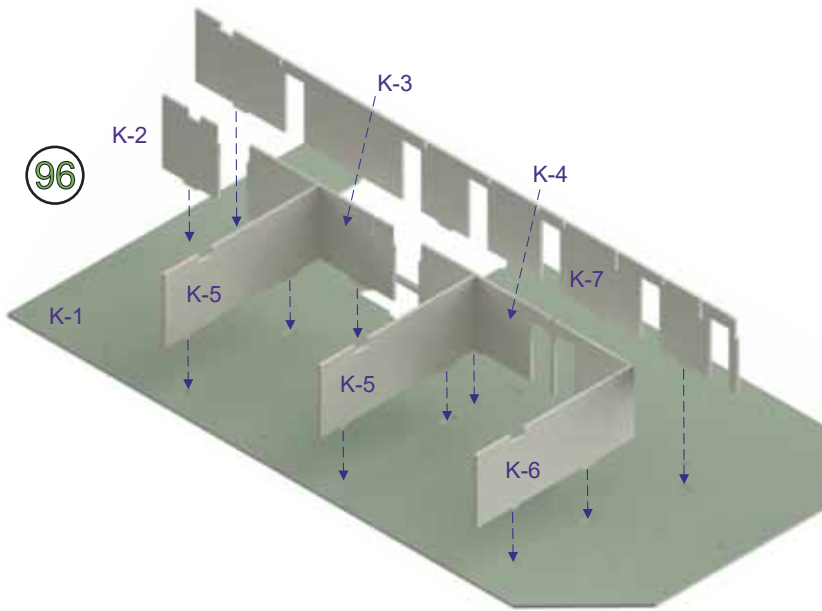


92

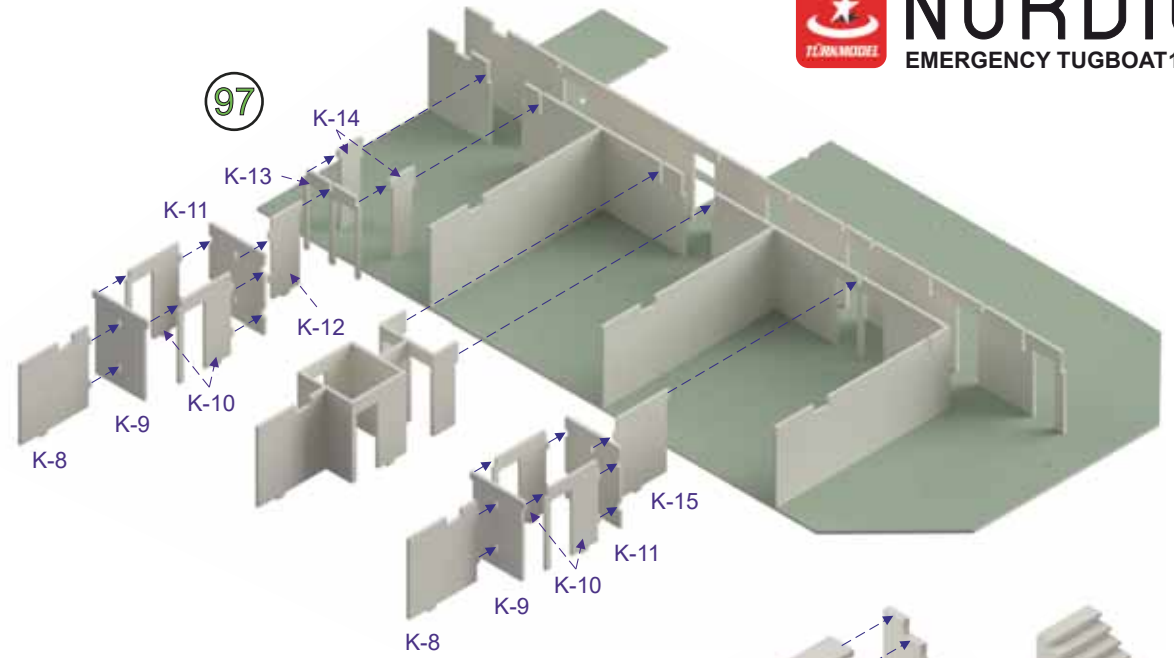




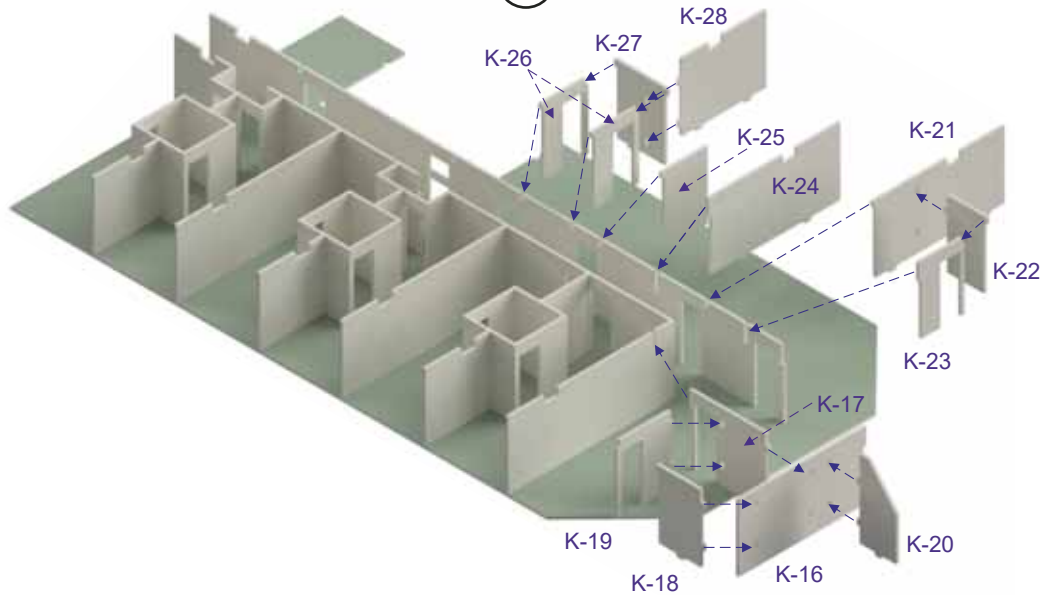
96



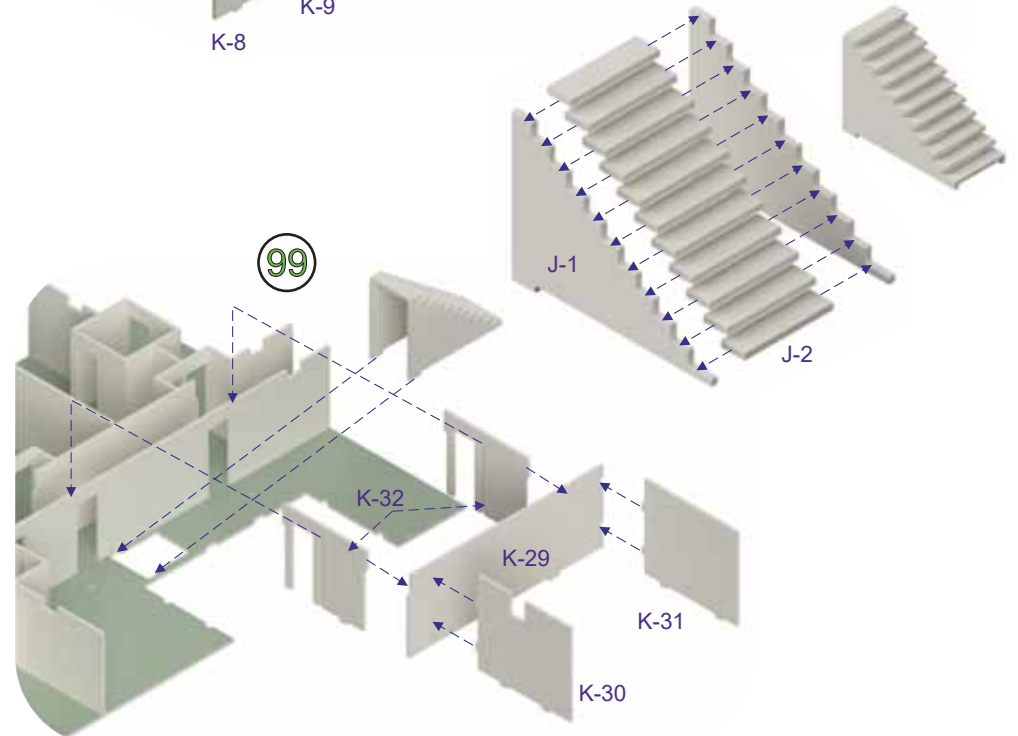
97



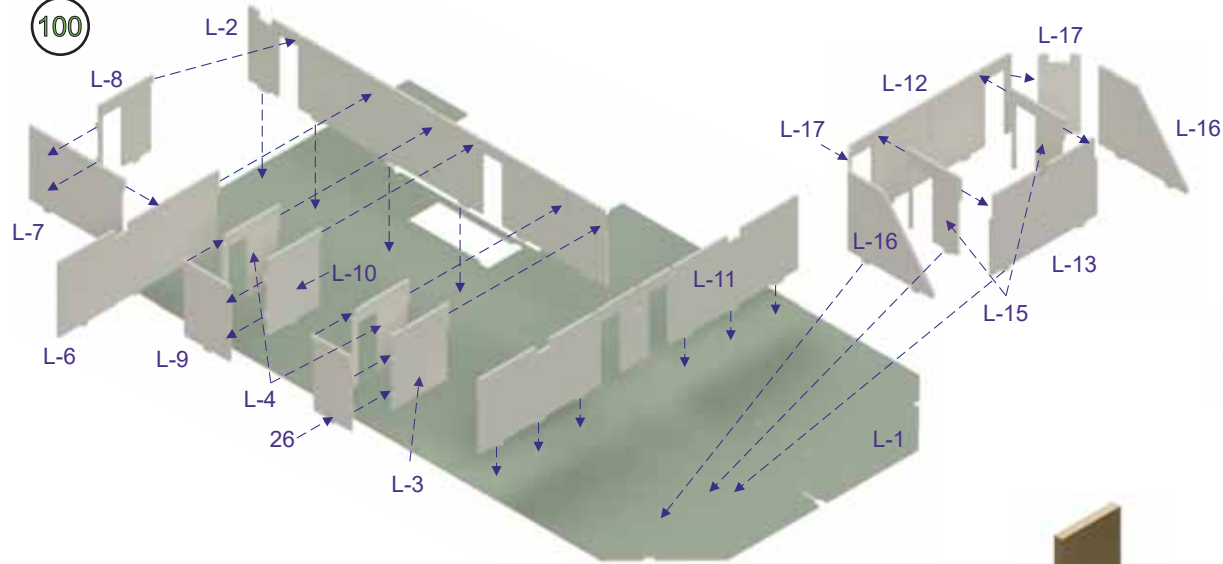
98



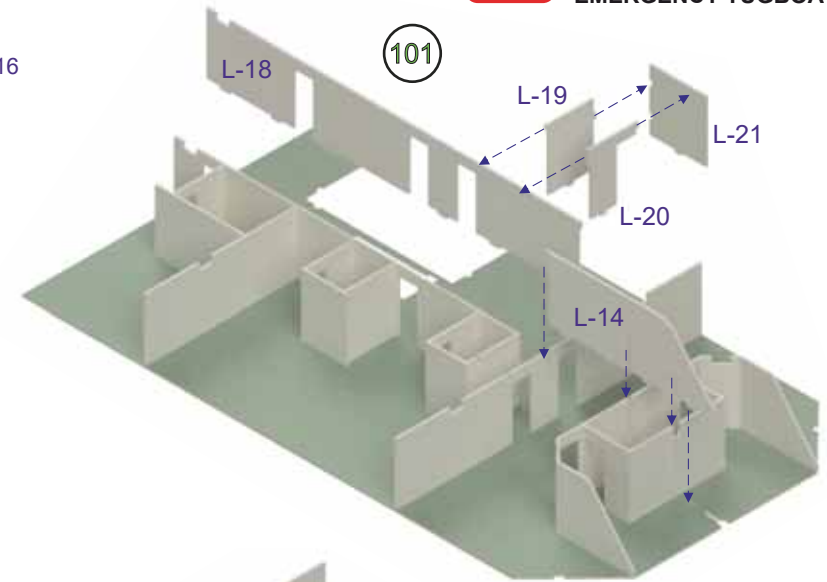
99



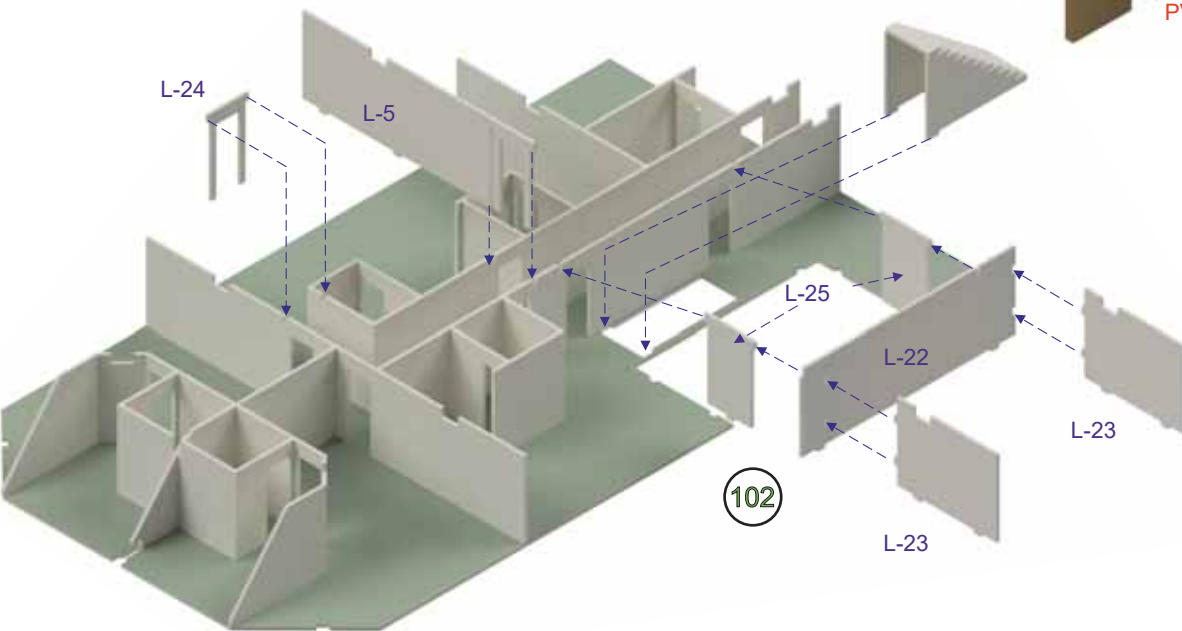
100



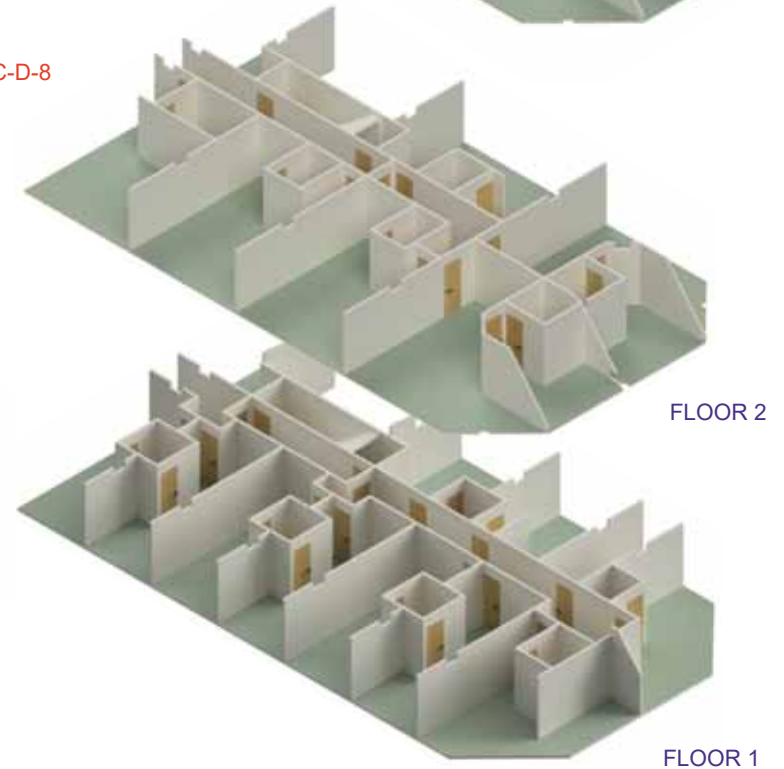
101



PVC-D-8

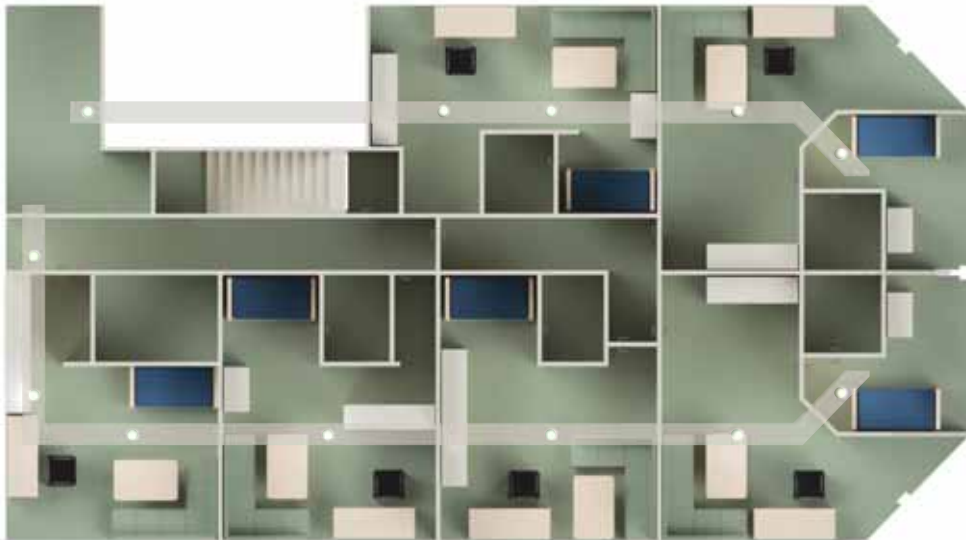


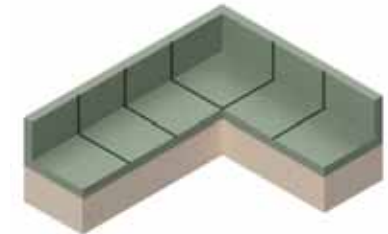
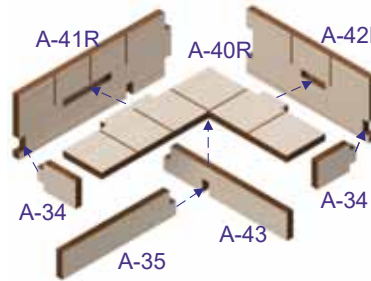
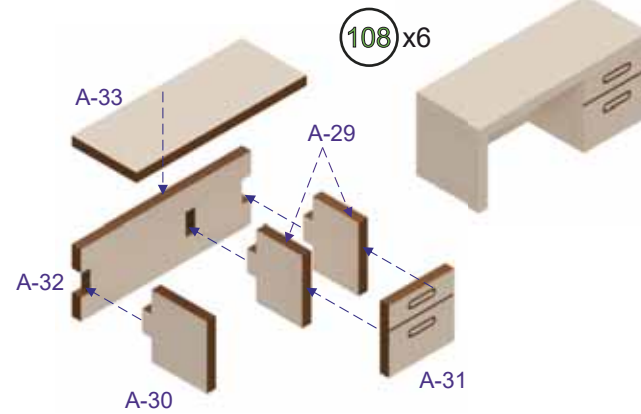
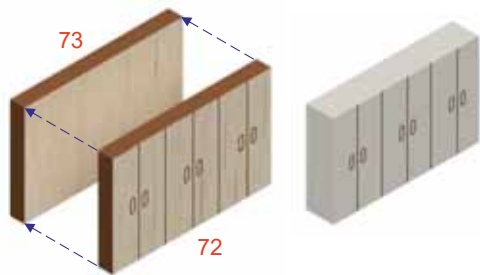
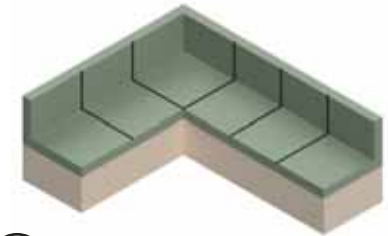
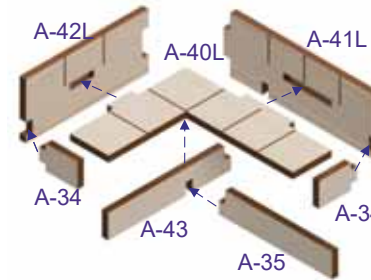
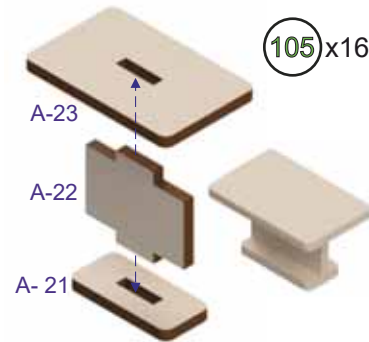
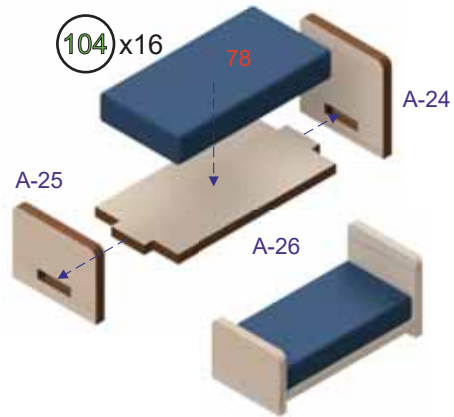
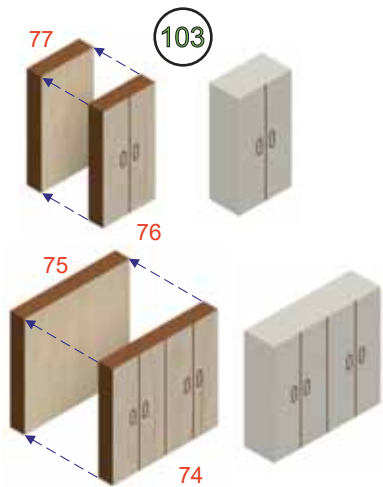
102



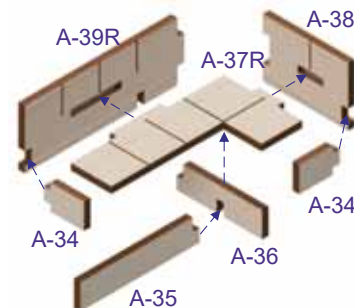
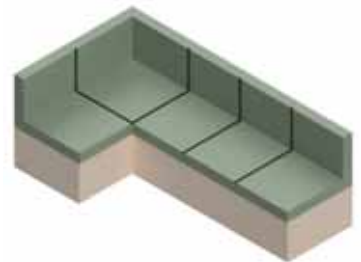
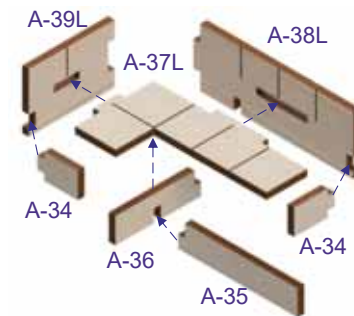
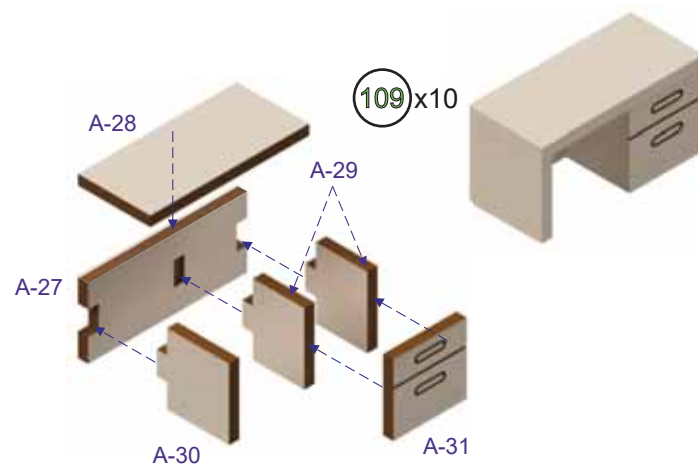
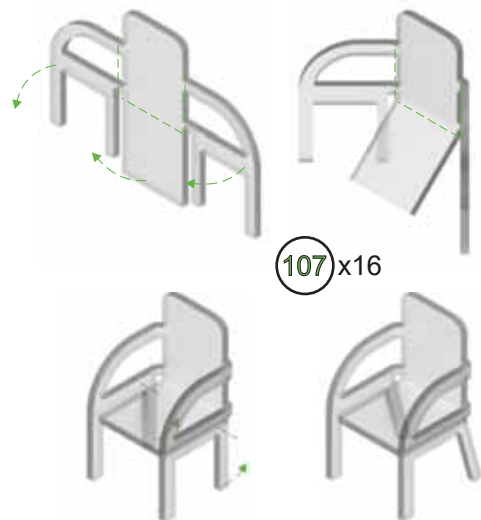
FLOOR 1



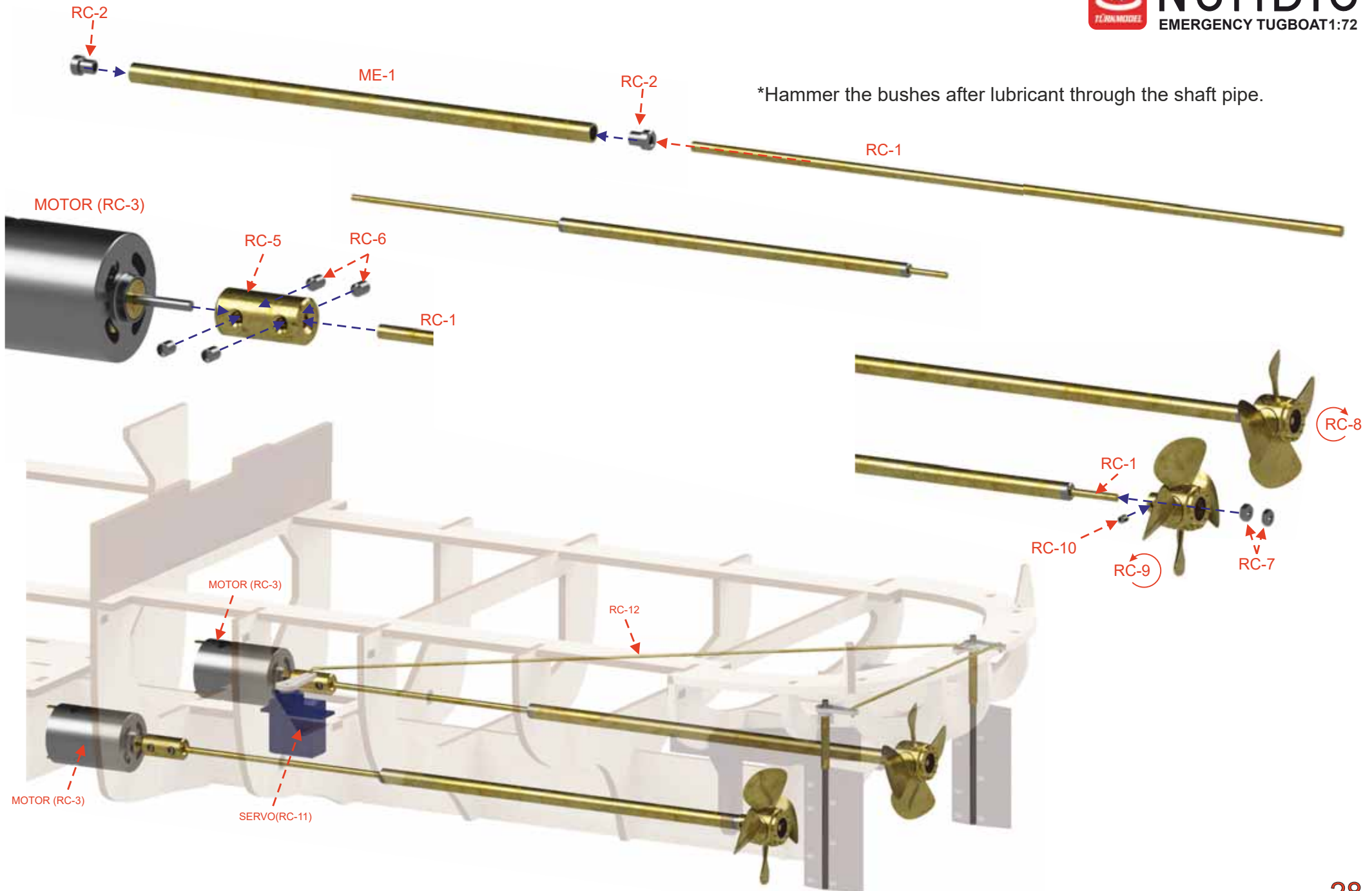




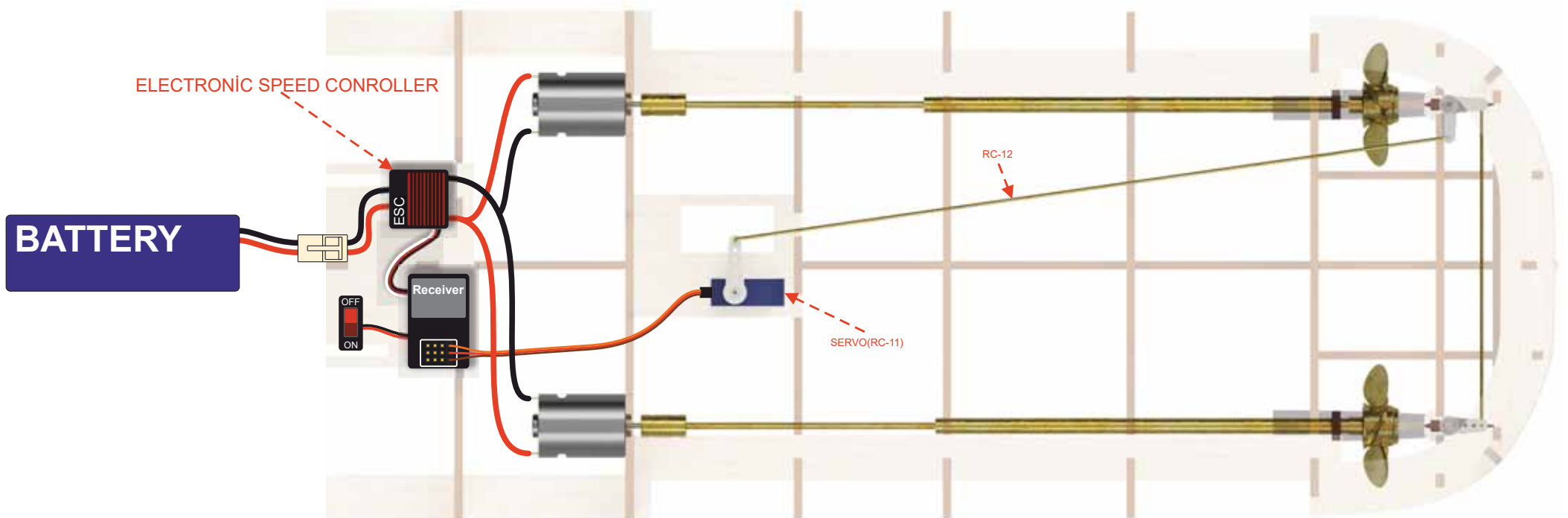
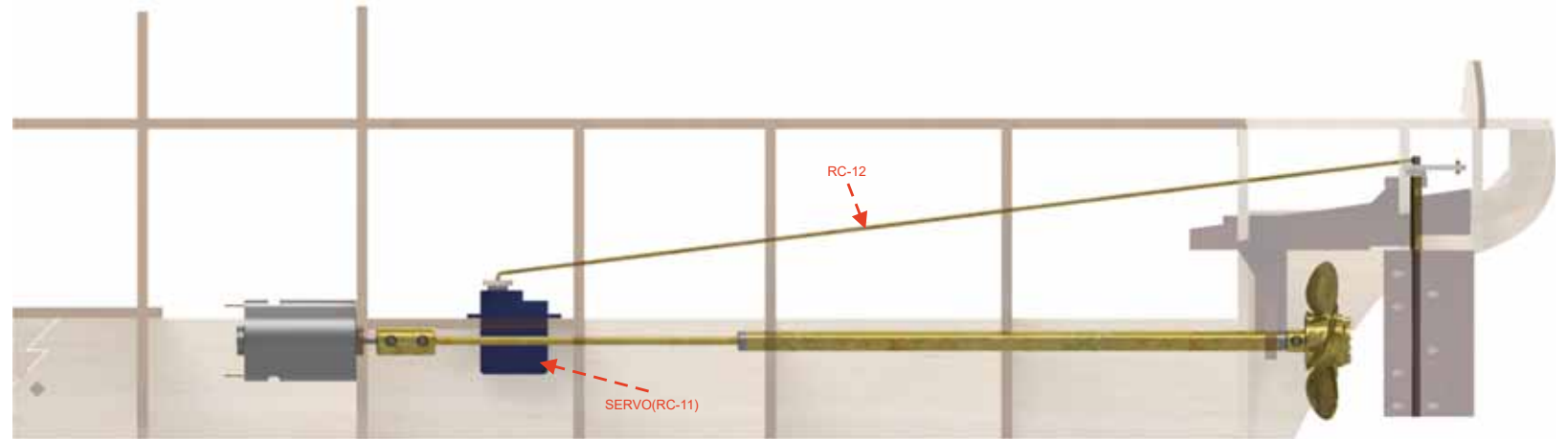
PVC-D-9



# R/C SET-UP



# R/C SET-UP



# LED SET-UP

You will find out how to set lights up in this page. The first rule is each 3 leds connected serial. So, the light sets exist bunch of 3 serials in every deck.  
Cooper cable is isolated, so when you set it, sand or fire the tips to unisolate.  
The tip of the resistance is unimportant. Any tip can be connected to the serial leds.

Wherever you would like to put a led, penetrate 3 mm the led platform and place the led into. Then glue the led there but do not use over the glue, just tiny.

Test the leds on every stage If they work properly. If the leds are blinking, the energy source's amper is not enough. If there is no light at all, then check cables these might not be unisolated well or disconnected.

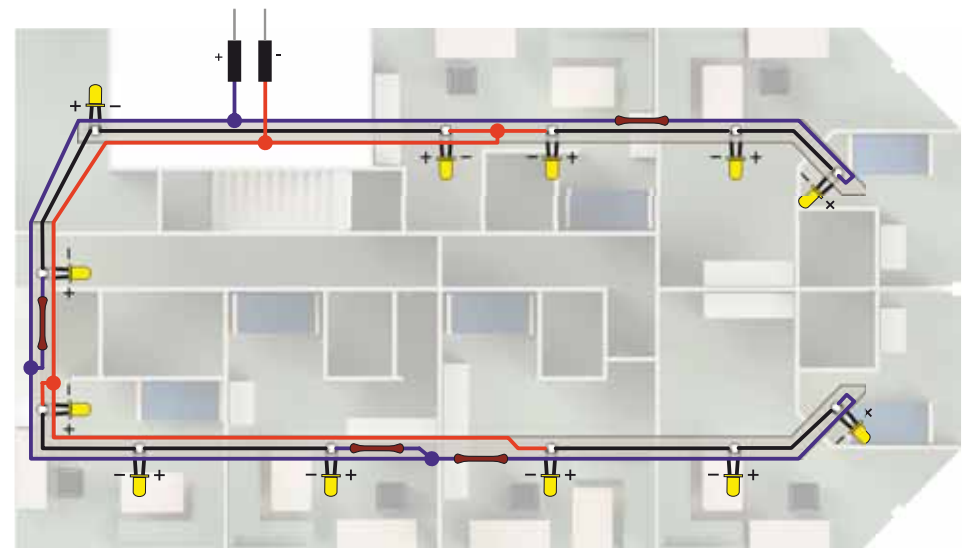
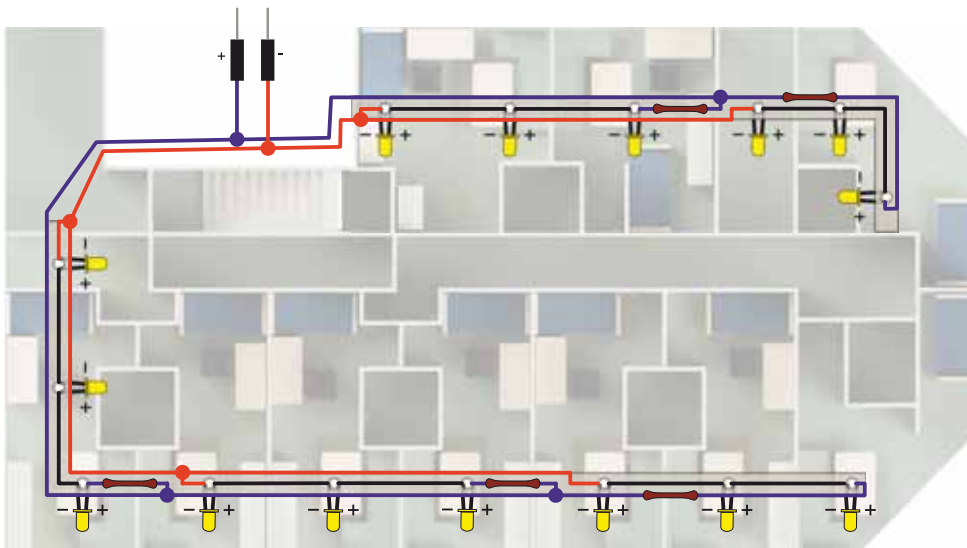
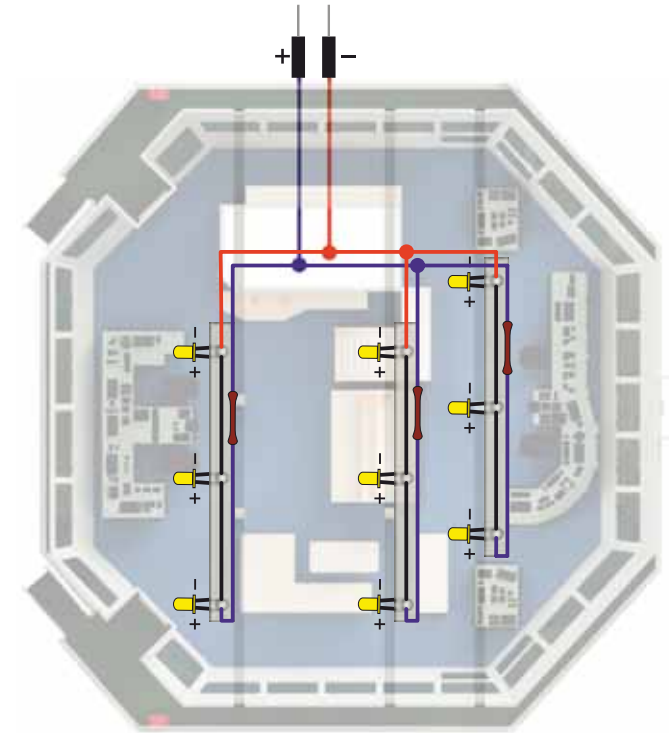
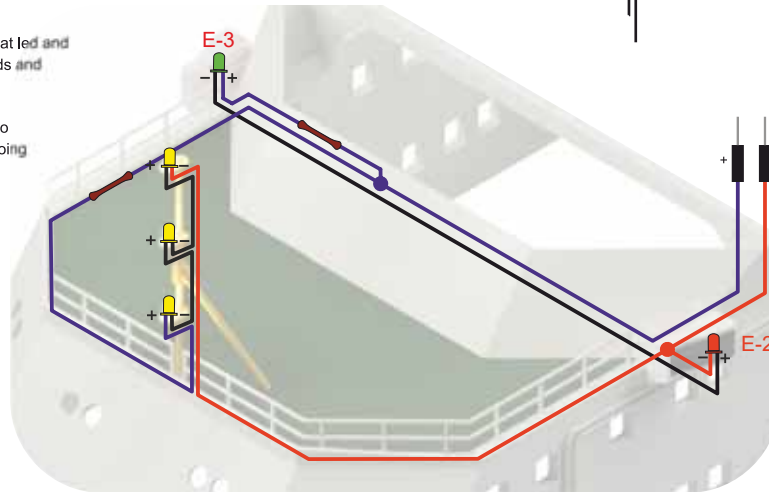
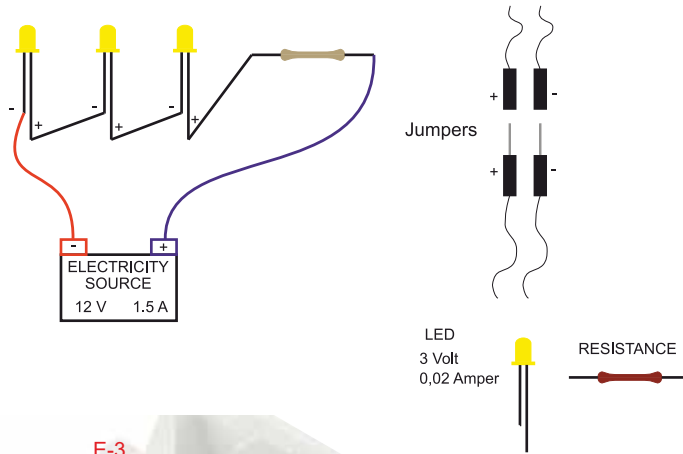
Connect the cables and the other components soldering. If you are not expert on soldering, get and support from an expert.

Though the cooper wire is unisolated, it might lose its feature by the time. If they are cross anywhere, put a small separator to keep it away from short circuit.

By the time, some leds might be died. In this situation, test the serial that covers that led and resistance. If you do not have a equipment to test, then just swap those 3 serial leds and resistance with new ones.

Collect the deck cables into a tip of a jack. The other tip of jack should connected to the energy source. You do this for every deck it might be needed to remove. It is going to make easier to disattach the decks. Easily you will plug off the led connections to make free the decks.

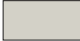
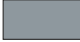









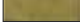
Watch out collecting (+) and (-) will be right.





# NORDIC

EMERGENCY TUGBOAT 1:72

-  RAL 9010
-  RAL 7001
-  RAL 5023
-  RAL 6002
-  RAL 1021
-  RAL 2005
-  RAL 3026
-  RAL 8004
-  RAL 3009
-  RAL 9005
-  Aluminium
-  Brass



Scale : 1/72  
L : 1083 mm  
H : 535 mm  
W : 230 mm



## NORDIC PARÇA LİSTESİ

### 4mm Polywood

0	1	Keel back	4 mm	Plywood
00.	1	Keel front	4 mm	Plywood
000.	2	Keel lock	4mm	Plywood
1...20	20	Frames	4 mm	Plywood
21	1	Back deck support	4 mm	Plywood
22	2	Back frame support	4 mm	Plywood
23-24-25	5	Nose frames	4 mm	Plywood
26	1	Platform	4 mm	Plywood
27	1	Servo house	4 mm	Plywood
28	1	Rudder axle house	4 mm	Plywood
29	2	Frame lock(front)	4 mm	Plywood
30	2	Frame lock(mid.)	4 mm	Plywood
31	2	Frame lock(side)	4 mm	Plywood
32	2	Frame lock(back)	4 mm	Plywood
33	2	Panel back support	4 mm	Plywood
34	2	Shaft pipe support	4 mm	Plywood
35-36	4	Rudder connection parts	4 mm	Plywood
37	2	Front panel refferance parts	4 mm	Plywood
38	12	Panel refferance parts	4 mm	Plywood
39	4	İnterior wall support	4 mm	Plywood
40	1	Living area wall (back)	4 mm	Plywood
41	1	Living area wall (right side)	4 mm	Plywood
42	1	Living area wall (left side)	4 mm	Plywood
43	1	Living area wall (top)	4 mm	Plywood
44	1	Living area wall support	4 mm	Plywood
45-46	3	Living area front wall support	4 mm	Plywood
47	2	Living area side wall support	4 mm	Plywood
48	1	Living area upper wall support	4 mm	Plywood
49	1	Living area lower balcony	4 mm	Plywood
50	1	Living area upper bolcony	4 mm	Plywood
51	1	Wheelhouse floor	4 mm	Plywood
52	4	Wheelhouse connection parts	4 mm	Plywood
53	4	Wheelhouse interior columns	4 mm	Plywood
54-55-56	3	Wheelhouse interior beam(front-mid.-back)	4 mm	Plywood
57	4	Wheelhouse roof connection parts	4 mm	Plywood
58	1	Big crane arm	4 mm	Plywood
59	1	Small crane arm	4 mm	Plywood
60	1	Base front part	4 mm	Plywood
61	1	Base back part	4 mm	Plywood
62	1	Base mid. Part	4 mm	Plywood
63	2	Base side parts(plate)	4 mm	Plywood
64	1	Cabin top wall	4 mm	Plywood
65...68	1	Cabin side walls	4 mm	Plywood
69	1	Cabin top cover	4 mm	Plywood
70	2	Big cabinet	4 mm	Plywood
71	8	Fire cabinet	4 mm	Plywood
72-73	4	6 door cabinet parts	4 mm	Plywood
74-75	22	4 door cabinet parts	4 mm	Plywood
76-77	20	2 door cabinet parts	4 mm	Plywood
78	16	Bed	4 mm	Plywood

### 1,5mm Polywood

PW-A	1...6	6	Deck	1,5mm	<i>Plywood</i>	
	7...13	10	Panels	1,5mm	<i>Plywood</i>	
	14-15	6	Rail parts	1,5mm	<i>Plywood</i>	
	16-17	3	Hook house	1,5mm	<i>Plywood</i>	
	18-19	6	Rudder connection parts	1,5mm	<i>Plywood</i>	
	20	6	Fire cabinet	1,5mm	<i>Plywood</i>	
	21-22-23	48	Table parts (3 different parts)	1,5mm	<i>Plywood</i>	
	24-25-26	48	Bed parts (2 different parts)	1,5mm	<i>Plywood</i>	
	27-28	20	Short study desk parts (2 different parts)	1,5mm	<i>Plywood</i>	
	29	32	Study desk parts	1,5mm	<i>Plywood</i>	
	30	16	Study desk parts	1,5mm	<i>Plywood</i>	
	31	16	Study desk parts	1,5mm	<i>Plywood</i>	
	32-33	12	Long study desk parts (2 different parts)	1,5mm	<i>Plywood</i>	
	34	32	L seat parts	1,5mm	<i>Plywood</i>	
	35	16	L seat parts	1,5mm	<i>Plywood</i>	
	36	10	Small L seat parts	1,5mm	<i>Plywood</i>	
	37R	5	Small L seat parts (right)	1,5mm	<i>Plywood</i>	
	37L	5	Small L seat parts (left)	1,5mm	<i>Plywood</i>	
	38R	5	Small L seat parts (right)	1,5mm	<i>Plywood</i>	
	38L	5	Small L seat parts (left)	1,5mm	<i>Plywood</i>	
	39R	5	Small L seat parts (right)	1,5mm	<i>Plywood</i>	
	39L	5	Small L seat parts (left)	1,5mm	<i>Plywood</i>	
	40R	2	Big L seat parts (right)	1,5mm	<i>Plywood</i>	
	40L	4	Big L seat parts (left)	1,5mm	<i>Plywood</i>	
	41R	2	Big L seat parts (right)	1,5mm	<i>Plywood</i>	
	41L	4	Big L seat parts (left)	1,5mm	<i>Plywood</i>	
	42R	2	Big L seat parts (right)	1,5mm	<i>Plywood</i>	
	42L	4	Big L seat parts (left)	1,5mm	<i>Plywood</i>	
	43	6	Big L seat parts	1,5mm	<i>Plywood</i>	
	PW-B	1...6	10	Back panel support	1,5mm	<i>Plywood</i>
		7...10	6	Living area frame	1,5mm	<i>Plywood</i>
		11	2	Winch cabin frame	1,5mm	<i>Plywood</i>
		12...13	4	Cabin frame	1,5mm	<i>Plywood</i>
		14-15-16	4	Back cover frame	1,5mm	<i>Plywood</i>
		17...21	6	Back cover parts	1,5mm	<i>Plywood</i>
	PW-C	0...23	57	Front rail support	1,5mm	<i>Plywood</i>
		24-25	14	Middle rail support	1,5mm	<i>Plywood</i>
		26...32	30	Back rail support	1,5mm	<i>Plywood</i>
		33...41	17	Rails	1,5mm	<i>Plywood</i>
	PW-D	1...8	11	Living area walls	1,5mm	<i>Plywood</i>
		9-10-11	6	Living area back walls	1,5mm	<i>Plywood</i>
		12-13	10	Side plate and support	1,5mm	<i>Plywood</i>
		14...18	10	Sidelight parts	1,5mm	<i>Plywood</i>
19-20		3	Living area rail parts	1,5mm	<i>Plywood</i>	
21-33		15	Winch cabin parts	1,5mm	<i>Plywood</i>	
34...47		21	Living area and winch cabin rail parts	1,5mm	<i>Plywood</i>	
48...52		7	Cabin parts	1,5mm	<i>Plywood</i>	
PW-E	1...5	5	Wheelhouse interior walls	1,5mm	<i>Plywood</i>	
	6...14	16	Wheelhouse walls	1,5mm	<i>Plywood</i>	
	15...22	14	Wheelhouse rail parts	1,5mm	<i>Plywood</i>	
	23	3	Led house	1,5mm	<i>Plywood</i>	
	24	1	Wheelhouse roof	1,5mm	<i>Plywood</i>	
	25-31	29	Wheelhouse roof rail support	1,5mm	<i>Plywood</i>	
	32-38	9	Wheelhouse roof rail	1,5mm	<i>Plywood</i>	
	39-40	4	Wheelhouse roof fixing parts	1,5mm	<i>Plywood</i>	
	41-42	2	Wheelhouse doors	1,5mm	<i>Plywood</i>	
	1...6	8	Map desk parts	1,5mm	<i>Plywood</i>	



PW-F	7...15	9	L seat parts	1,5mm	<i>Plywood</i>	
	16-17-18	3	Table parts (3 different parts)	1,5mm	<i>Plywood</i>	
	19...25	11	File cabinet parts	1,5mm	<i>Plywood</i>	
	26...29	5	Cabinet parts	1,5mm	<i>Plywood</i>	
	30...33	8	Study desk parts	1,5mm	<i>Plywood</i>	
	34...39	7	Stairs cabinet	1,5mm	<i>Plywood</i>	
PW-G	1...8	9	Funnel cabin walls	1,5mm	<i>Plywood</i>	
	9-10-11	9	Funnel cabin roof support	1,5mm	<i>Plywood</i>	
	12...15	7	Funnel cabin roof rail frame	1,5mm	<i>Plywood</i>	
	16-17-18	4	Funnel cabin cover (3 different part)	1,5mm	<i>Plywood</i>	
	19-20-21	3	Tower floor support	1,5mm	<i>Plywood</i>	
	22-23	4	Tower rail frame	1,5mm	<i>Plywood</i>	
PW-H	1	8	Large door	1,5mm	<i>Plywood</i>	
	2	1	Living area 1.floor door	1,5mm	<i>Plywood</i>	
	3	1	Living area 2.floor door	1,5mm	<i>Plywood</i>	
	4	1	Living area 3.floor door	1,5mm	<i>Plywood</i>	
	5	5	Narrow door	1,5mm	<i>Plywood</i>	
	6	2	Cover	1,5mm	<i>Plywood</i>	
	7	3	Cover	1,5mm	<i>Plywood</i>	
	8	1	Cover	1,5mm	<i>Plywood</i>	
	9	1	Cover	1,5mm	<i>Plywood</i>	
	10	3	Cover	1,5mm	<i>Plywood</i>	
	11...14	4	Small Cover	1,5mm	<i>Plywood</i>	
	15	2	Cover	1,5mm	<i>Plywood</i>	
	16	1	Door	1,5mm	<i>Plywood</i>	
	PW-I	1...5	6	Crane cabin wall	1,5mm	<i>Plywood</i>
		6	1	Crane cabin door	1,5mm	<i>Plywood</i>
		7...12	8	Crane long arm parts	1,5mm	<i>Plywood</i>
13		2	Crane short arm parts	1,5mm	<i>Plywood</i>	
PW-J	1	4	Interior stairs support	1,5mm	<i>Plywood</i>	
	2	24	Interior stair's steps	1,5mm	<i>Plywood</i>	
	3	45	Interior doors	1,5mm	<i>Plywood</i>	
PW-K	1	1	Living area 1.floor deck	1,5mm	<i>Plywood</i>	
	2...32	50	Living area 1.floor walls	1,5mm	<i>Plywood</i>	
	33-34	2	Living area 1.floor led house	1,5mm	<i>Plywood</i>	
PW-L	1	1	Living area 2.floor deck	1,5mm	<i>Plywood</i>	
	2...26	31	Living area 2.floor walls	1,5mm	<i>Plywood</i>	
	27-28	2	Living area 2.floor led house	1,5mm	<i>Plywood</i>	

### 0,75mm Pvc

PVC-A	.1-2	4	Front deck rails	0,75 mm	<i>Pvc</i>
	3	1	Middle deck rails	0,75 mm	<i>Pvc</i>
	4	2	Living area front rails	0,75 mm	<i>Pvc</i>
	.5-6	3	Living area 2.floor balcony rails	0,75 mm	<i>Pvc</i>
	.7-8	2	Living area 1.floor balcony rails	0,75 mm	<i>Pvc</i>
	9...13	6	Winch cabin rails	0,75 mm	<i>Pvc</i>
	14-15	2	Cabin hook house	0,75 mm	<i>Pvc</i>
	16	8	Cabin hook hanger	0,75 mm	<i>Pvc</i>
PVC-B	.1-2-3	3	Back grill parts	0,75 mm	<i>Pvc</i>
	4...9	13	Boat base parts	0,75 mm	<i>Pvc</i>
	10...13	6	Frot grill parts	0,75 mm	<i>Pvc</i>
	14-15	3	Zodiac base parts	0,75 mm	<i>Pvc</i>
	16-17-18	8	Life capsule base parts	0,75 mm	<i>Pvc</i>
	19-20	2	Crane cabine rails	0,75 mm	<i>Pvc</i>
	21-22	2	Crane stairs	0,75 mm	<i>Pvc</i>
	23...26	8	Crane parts	0,75 mm	<i>Pvc</i>
	27-28	4	Small crane parts	0,75 mm	<i>Pvc</i>

	29	4	Pulley connections parts	0,75 mm	Pvc
PVC-C	1...7	12	Wheelhouse roof rails	0,75 mm	Pvc
	8	1	Wheelhouse roof stairs rails	0,75 mm	Pvc
	9-10-11	5	Wheelhouse roof step parts	0,75 mm	Pvc
	12	1	Wheelhouse roof stair	0,75 mm	Pvc
PVC-D	1...4	6	Wheelhouse rails	0,75 mm	Pvc
	5	1	Wheelhouse front stairs	0,75 mm	Pvc
	6	16	Wheelhouse wiper (long)	0,75 mm	Pvc
	7	20	Wheelhouse wiper (short)	0,75 mm	Pvc
	8	100	Door handles	0,75 mm	Pvc
	9	18	Seat	0,75 mm	Pvc
	10	5	Led house	0,75 mm	Pvc
PVC-E	1	1	Funnel cabin grill base	0,75 mm	Pvc
	2	2	Funnel cabin back stairs	0,75 mm	Pvc
	3-4	3	Funnel cabin rails	0,75 mm	Pvc
	5	2	Funnel cabin side stairs	0,75 mm	Pvc
	6	2	Funnel cabin side stair rails.	0,75 mm	Pvc
	7	1	Tower grill base	0,75 mm	Pvc
	8	1	Tower rails	0,75 mm	Pvc
	9	1	Tower stair	0,75 mm	Pvc
PVC-F	1	107	Step	0,75 mm	Pvc
	2	14	Long stair rails	0,75 mm	Pvc
	3	4	Short stair rails	0,75 mm	Pvc

#### 4mm Plx

PLX-A	1	4	Propeller shaft tube house	4 mm	Plaxi
	2	2	Front belt parts	4 mm	Plaxi
	3	2	Middle belt parts	4 mm	Plaxi
	4	2	Back belt parts	4 mm	Plaxi

#### 2mm Plx

PLX-B	1	5	Rudder-Servo connections parts	2 mm	Plaxi
	2	4	Rudder-Servo connections parts(1 arm)	2 mm	Plaxi
	3	4	Dümen-Servo bağlantı parçası(2 arm)	2 mm	Plaxi

#### 1mm Plx

PLX-C	1...15	37	Wheelhouse glass	0,75 mm	Plaxi
	16	2	Wheelhouse door glass	0,75 mm	Plaxi
	17	1	Living area door glass	0,75 mm	Plaxi
	18	16	Living area circle glass	0,75 mm	Plaxi
	19	32	Living area side glass	0,75 mm	Plaxi
	20	3	Living area back glass	0,75 mm	Plaxi
	21	1	Winch cabin glass	0,75 mm	Plaxi
	22	60	Body circle glass	0,75 mm	Plaxi

#### 0,5mm Mesh

MH	1	1	Funnel cabin roof grill	0,5 mm	Mesh
	2	1	Tower grill	0,5 mm	Mesh
	3	1	Back grill	0,5 mm	Mesh
	4	1	Front grill	0,5 mm	Mesh
	5	1	Boat base grill	0,5 mm	Mesh

#### Massive wood

MS	M-1	2	File cabinet shelf	5mm	Massive
	M-2	2	Small shelf	5mm	Massive

#### 3D Resin

3D-1	1	Anchor hopper(right) R	-	<u>3D Resin</u>
3D-2	1	anchor hopper(left) L	-	3D Resin
3D-3	2	Anchor	-	3D Resin
3D-4	2	Anchor shank	-	3D Resin
3D-5	1	Maneuver propeller (front right) R1	-	3D Resin
3D-6	1	Maneuver propeller (middle right) R1	-	3D Resin
3D-7	1	Maneuver propeller (back right) R1	-	3D Resin
3D-8	1	Maneuver propeller (front left) L1	-	3D Resin
3D-9	1	Maneuver propeller (middle left) L2	-	3D Resin
3D-10	1	Maneuver propeller (back left) L3	-	3D Resin
3D-11	2	Rail pipe	-	3D Resin
3D-12	1	Propeller guard connection part	-	3D Resin
3D-13	1	Propeller guard (right)	-	3D Resin
3D-14	1	Propeller guard (left)	-	3D Resin
3D-15	2	Propeller center	-	3D Resin
3D-16	2	Propeller pin	-	3D Resin
3D-17	1	Propeller body (right)	-	3D Resin
3D-18	1	Propeller body (left)	-	3D Resin
3D-19	4	Propeller pal (right)	-	3D Resin
3D-20	4	Propeller pal (left)	-	3D Resin
3D-21	2	Rudder pal	-	3D Resin
3D-22	1	Double bollard (long)	-	3D Resin
3D-23	8	Double bollard	-	3D Resin
3D-24	3	Roller bollard	-	3D Resin
3D-25	4	Roller bollard (bent)	-	3D Resin
3D-26	2	Bollard (big)	-	3D Resin
3D-27	6	Bollard	-	3D Resin
3D-28	1	Case	-	3D Resin
3D-29	1	Case (small)	-	3D Resin
3D-30	2	Case (back)	-	3D Resin
3D-31	1	Zodiac body	-	3D Resin
3D-32	1	Zodiac cage	-	3D Resin
3D-33	1	Zodiac control base	-	3D Resin
3D-34	1	Zodiac crane hanger	-	3D Resin
3D-35	2	Valve	-	3D Resin
3D-36	1	Rope hopper	-	3D Resin
3D-37	10	Rail top roller	-	3D Resin
3D-38	1	Spherical radar	-	3D Resin
3D-39	1	Spherical radar (small)	-	3D Resin
3D-40	1	Spherical radar (big)	-	3D Resin
3D-41	2	Lifebuoy	-	3D Resin
3D-42	20	Airing head	-	3D Resin
3D-43	1	Boat	-	3D Resin
3D-44	1	Front winch body (right)	-	3D Resin
3D-45	1	Front winch body (left)	-	3D Resin
3D-46	1	Back winch body (right)	-	3D Resin
3D-47	1	Back winch body (left)	-	3D Resin
3D-48	1	Big winch body	-	3D Resin
3D-49	3	Big winch bobbin	-	3D Resin
3D-50	3	Winch lock (for big winch)	-	3D Resin
3D-51	4	Winch head	-	3D Resin
3D-52	4	Winch bobbin	-	3D Resin
3D-53	2	Winch roller for chain	-	3D Resin
3D-54	2	chain bearing	-	3D Resin
3D-55	10	Winch lock wheel	-	3D Resin
3D-56	2	Winch lock (for back winch)	-	3D Resin
3D-57	1	Winch chain lock (right)	-	3D Resin

3D-58	1	Winch chain lock (left)	-	3D Resin
3D-59	2	Winch lock (for front winch)	-	3D Resin
3D-60	2	Pulley	-	3D Resin
3D-61	4	Pulley bad	-	3D Resin
3D-62	3	Belt support (short)	-	3D Resin
3D-63	3	Belt support (long)	-	3D Resin
3D-64	1	Column connection parts	-	3D Resin
3D-65	1	J airing (bent) right	-	3D Resin
3D-66	1	J airing (bent) eft	-	3D Resin
3D-67	1	J airing	-	3D Resin
3D-68	2	Hook	-	3D Resin
3D-69	6	Life capsule (female)	-	3D Resin
3D-70	6	Life capsule (male)	-	3D Resin
3D-71	2	Bollard (on the rail)	-	3D Resin
3D-72	1	Bollard (on the rail) (rigt)	-	3D Resin
3D-73	1	Bollard (on the rail) (left)	-	3D Resin
3D-74	4	Seat	-	3D Resin
3D-75	1	Control panel (rigt)	-	3D Resin
3D-76	1	Control panel (left)	-	3D Resin
3D-77	1	Control panel (back)	-	3D Resin
3D-78	1	Control panel	-	3D Resin
3D-79	1	Big radar pillar	-	3D Resin
3D-80	1	Big radar cicle	-	3D Resin
3D-81	1	Big radar engine	-	3D Resin
3D-82	1	Big radar	-	3D Resin
3D-83	1	Radar pillar	-	3D Resin
3D-84	1	Radar engine	-	3D Resin
3D-85	1	Radar	-	3D Resin
3D-86	2	Projektor	-	3D Resin
3D-87	1	Small crane body	-	3D Resin
3D-88	1	Fire extinguisher engine (right)	-	3D Resin
3D-89	1	Fire extinguisher engine (left)	-	3D Resin
3D-90	2	Fire extinguisher head	-	3D Resin
3D-91	1	Funnel pipe (wide,long)	-	3D Resin
3D-92	1	Funnel pipe (wide,short)	-	3D Resin
3D-93	1	Funnel pipe (narrow,long)	-	3D Resin
3D-94	1	Funnel pipe (narrow,short)	-	3D Resin
3D-95	1	Funnel pipe (thin)	-	3D Resin
3D-96	1	Tower connection parts	-	3D Resin
3D-97	1	Tower back support (right)	-	3D Resin
3D-98	1	Tower back support (left)	-	3D Resin
3D-99	1	Tower front support	-	3D Resin
3D-100	1	Tower middle support	-	3D Resin
3D-101	1	Crane bottom part	-	3D Resin
3D-102	1	Crane ring	-	3D Resin
3D-103	1	Piston	-	3D Resin
3D-104	1	Piston arm	-	3D Resin
3D-105	2	Small piston	-	3D Resin
3D-106	2	Small piston arm	-	3D Resin
3D-107	1	Piston house (rigt)	-	3D Resin
3D-108	1	Piston house (left)	-	3D Resin
3D-109	1	Crane bobbin body	-	3D Resin
3D-110	1	Crane bobbin	-	3D Resin
3D-111	1	Crane head connection part	-	3D Resin
3D-112	1	Crane head	-	3D Resin
3D-113	1	Crane head hopper	-	3D Resin
3D-114	1	Fire valve (right)	-	3D Resin

3D-115	1	Fire velve (left)	-	3D Resin
3D-116	2	Sidelight	Saydam	3D Resin

### Strips

S-1	160	Cover strips	5x1,7x550 m	Linden
-----	-----	--------------	-------------	--------

### Metals

ME-1	2	Shaft pipe	Ø7 x 180 mrr	Brass pipe
ME-2	2	Rudder shaft pipe	Ø4 x 25 mm	Copper pipe
ME-3	1	Crane pipe (for small)	Ø4 x 15 mm	Copper pipe
ME-4	1	Crane pin (for small)	Ø3 x 20mm	Wire
ME-5	2	Rudder shaft	Ø3 x 88mm	Wire
ME-6	1	Tower front column	Ø2 x 73mm	Wire
ME-7	2	Tower side column	Ø2 x 108mm	Wire
ME-8	2	Tower bottom column	Ø2 x 50mm	Wire
ME-9	1	Front column	Ø2 x 76mm	Wire
ME-10	2	Front column support	Ø2 x 44mm	Wire
ME-11	1	Big winch pin	Ø1,5 x 58mrr	Wire
ME-12	1	Crane arm pin	Ø1,5 x 22mrr	Wire
ME-13	2	Roller pin	Ø1,5 x 15mrr	Wire
ME-14	2	Front winch pin	Ø1,5 x 38mrr	Wire
ME-15	2	Back winch pin	Ø1,5 x 18mrr	Wire
ME-16	4	Crane pin	Ø1 x 16mm	Wire
ME-18	1	Wire	Ø0,8 x 500mrr	Çelik tel
ME-19	1	Rudder connection wire	Ø1,5 x 25mrr	Brass wire

### Electric

E-1	40	White led	-	Electric
E-2	1	Red led	-	Electric
E-3	1	Green led	-	Electric
E-4	15	Resistance	-	Electric
E-5	10	Jumper	-	Electric
E-6	1	Coper wire	5m	Electric

### Other

R-1	1	Rope	4m	Grey rope
R-2	10	Magnet	5x5mm	Magnet
R-3	1	Flament	3m	Flament
R-4	2	Chain	30cm	Chain
DC-1	1	Decal	Black	Ready
DC-2	1	Decal	White	Ready
DC-3	1	Decal	Colour	Ready
DC-4	1	Decal	Front hole ref	Ready
DC-5	1	Decal	Back hole ref	Ready

### RC

not included in the kit.

RC-1	1	Shaft	Ø3x*** mm	Wire
RC-2	4	Bush	-	Ready
RC-3	2	Engine	-	Ready
RC-4	4	Screw	M3x8	Ready
RC-5	2	Coupling	-	Ready
RC-6	8	Grub screw	M3x3	Ready
RC-7	2	Propeller gripper	-	Ready
RC-8	2	Grub screw	M3x3	Ready
RC-9	4	Nut	M3	Ready
RC-10	2	Propeller	R/C	Brass
RC-11	1	Servo	-	Ready

RC-12

1

Servo connection wire

1,5x360mm

Wire

---